



## CONGRESS MOTION 1 FOR LAW FORM

According to WA Constitution & Rules, Book 1, Art.1.6.12, 1.6.14, Appendix 1, Art.6.4

To be submitted to the World Archery Office, attention Thomas Aubert, taubert@archery.org

1. Submitted by:	Constitution & Rules Committee
2. In Quality of: <i>Please tick one</i>	World Archery President <input type="checkbox"/> Executive Board <input type="checkbox"/> Permanent Committee <input checked="" type="checkbox"/> Member Association <input type="checkbox"/> Continental Association <input type="checkbox"/>
3. Date Submitted to WA Office :	3/3/17
3. Book, Chapter, Article	Book 1, Articles 1.6.7.2, 1.8.5, 1.16.2, 1.17.1,1.17.3,1.17.4, 1.17.5, 1.17.8
4. Text of the motion (*)	<p>Article 1.6.7.2. shall be revised to read as follows:</p> <p>1.6.7.2. The Permanent Committees shall be elected as follows:</p> <ul style="list-style-type: none"> <li>• At the Congress held the year after the Summer Olympic Games:             <ul style="list-style-type: none"> <li>○ <b><u>The C&amp;R Committee (2 members);</u></b></li> <li>○ <b><u>The Field and 3D Archery Committee (2 members);</u></b></li> <li>○ <b><u>The Judges Committee (2 members);</u></b></li> <li>○ <b><u>The Coaches Committee (2 members)</u></b></li> <li>○ The Technical Committee <b><u>(3 members);</u></b></li> <li>○ The Target Archery Committee <b><u>(3 members);</u></b></li> <li>○ The Medical &amp; Sport Sciences Committee <b><u>(3 members);</u></b></li> <li>○ The Para-Archery Committee <b><u>(3 members).</u></b></li> </ul> </li> </ul>



- **At the Congress held three years after the Summer Olympic Games:**
  - **The C&R Committee (3 members);**
  - **The Field and 3D Archery Committee (3 members);**
  - **The Judges Committee (3 members);**
  - **The Coaches Committee (3 members)**
  - **The Technical Committee (2 members);**
  - **The Target Archery Committee (2 members);**
  - **The Medical & Sport Sciences Committee (2 members);**
  - **The Para-Archery Committee (2 members).**

Article 1.8.5 shall be revised to read as follows:

1.8.5. The President shall designate the chairpersons **and deputy chairpersons** of the Permanent Committees from among their members **for a period of 2 years**.

Article 1.16.2 shall be revised to read as follows:

1.16.2. The chairpersons **and Deputy Chairpersons** of the Permanent Committees shall be designated by the President. Between the meetings of Congress, the Permanent Committees are responsible and accountable to the Executive Board.

New Bylaw 1.16.2.4:

**Bylaw 1.16.2.4 the Deputy Chairperson can replace the chairperson in case he is not able to be conduct his duty for whatever reason.**

The first sentence of the followign Articles shall be revised to read as follows:

1.17.1. A C&R Committee of **five** deals with matters regarding the Constitution and Rules covering Eligibility, Championships, Tournaments, Records and Awards.

1.17.3. A Target Archery Committee of **five** deals with the following matters concerning Target Archery:

1.17.4. A Field and 3D Archery Committee of **five** deals with



	<p>the following matters concerning Field Archery and 3D:</p> <p>1.17.5. A Judges Committee of <b>five</b> deals with the matters concerning judging.</p> <p>1.17.8. A Coaches Committee of <b>five</b> shall consider matters relating to acting as a Team Manager or Coach on the field of play at International Events.</p> <p>New Bylaws 1.18.1.5 and 1.18.1.6:</p> <p><b><u>Bylaw 1.18.1.5 The Permanent Committees will physically meet in the non-Congress years. In Congress years and at other occasions they may meet through electronic means.</u></b></p> <p><b><u>Bylaw 1.18.1.6 The Permanent Committees may ask to the Executive Committee to add additional Ad Hoc members for specific projects.</u></b></p>
5. Reason	<p>There is a need for all committees to be operational at all times and due to various reasons it could happen that one or more of the three members in a committee cannot play an active role. When then there is no consensus on a matter it quickly leads to a deadlock situation which is not productive. By staggering the elections over two Congresses we also guarantee a needed transfer of knowledge. Currently we could have the entire committee being renewed with the consequence that there is no transfer of knowledge. For this reason there is also the new concept of a deputy chairperson as well as the idea of having the chair only being nominated for 2 years so that a proper succession can be prepared and that the time of election is not a handicap to become chair.</p> <p>In order to be viable in terms of costs only one physical meeting would take place and in the non-Congress year. All other meetings would be through video or conference call reducing the need to travel.</p> <p>By adding more members it should also be possible to have a better gender balance in the committees.</p> <p>This motion if approved will need a transition period for the committees.</p> <p>For committees that are up for election in 2017 under the old constitution, the 3 members with the most votes in the round of their election will be elected for 4 years, the two others for</p>



	2 years. In case of a tie the President will break the tie. For committees up for election in 2019, ad hoc members will be appointed by the Executive Committee up until 2019 and in 2019 the same procedure will be followed as above.
--	---

(\*) Please state the wording to be used **precisely** with the new requested version/addition/amendment **in full words**.



## CONGRESS MOTION 2 FOR LAW FORM

According to WA Constitution & Rules, Book 1, Art.1.6.12, 1.6.14, Appendix 1, Art.6.4

To be submitted to the WA Office, attention Thomas Aubert, taubert@archery.org

1. Submitted by:	World Archery Oceania
2. In Quality of: <i>Please tick one</i>	World Archery President <input type="checkbox"/> Executive Board <input type="checkbox"/> Permanent Committee <input type="checkbox"/> Member Association <input type="checkbox"/> Continental Association <input checked="" type="checkbox"/>
3. Date Submitted to WA Office :	8 July 2016
3. Book, Chapter, Article	Book 1, Chapter 12, Article 1.12.1
4. Text of the motion (*)	<p>The Executive Board is made up of:</p> <ul style="list-style-type: none"> <li>• The President;</li> <li>• The First Vice President;</li> <li>• Three Vice Presidents;</li> <li>• <del>Seven</del> <b>eight</b> other members;</li> <li>• The chairperson of the Athletes Committee.</li> </ul> <p>And the following ex officio members with full participation rights but no vote:</p> <ul style="list-style-type: none"> <li>• The Secretary General;</li> <li>• The chairperson of the C&amp;R Committee.</li> </ul> <p>There shall be no more than two members from the same Member Association except for the ex officio members.</p>
5. Reason	World Archery is growing in members and in the number of Member Associations, increasing the Executive Board would provide an opportunity to expand its expertise, geographic representation and diversity.



## CONGRESS MOTION 3 FOR LAW FORM

According to WA Constitution & Rules, Book 1, Art.1.6.12, 1.6.14, Appendix 1, Art.6.4

To be submitted to the World Archery Office, attention Thomas Aubert, taubert@archery.org

1. Submitted by:	Constitution & Rules Committee
2. In Quality of: <i>Please tick one</i>	World Archery President <input type="checkbox"/> Executive Board <input checked="" type="checkbox"/> Permanent Committee <input type="checkbox"/> Member Association <input type="checkbox"/> Continental Association <input type="checkbox"/>
3. Date Submitted to WA Office :	3/3/17
3. Book, Chapter, Article	New Article 1.35
4. Text of the motion (*)	1.35 Data Protection & Participation Consent  1.35.1 Member Associations shall be in compliance with the data protection policy that the Executive Board may adopt from time to time.  1.35.2 A condition to being eligible to participate in World Archery Events is signing a participation consent in form approved from time to time by the Executive Committee. Each Member Association shall have an obligation to require its participants to sign such consent prior to participation at events.



5. Reason	World Archery needs to be protected to have no issue with data protection laws. A sample form is attached for athletes. The final version will be approved by the Executive Board in December 2017
-----------	--

(\*) Please state the wording to be used **precisely** with the new requested version/addition/amendment **in full words**.



## ERMS AND CONDITIONS OF PARTICIPATION

for

**[Insert Name of Event]** (hereafter referred to as the “**Event**”)

Athlete / Coach / Trainer / Official members of the Member Association Delegation (each a “**participant**”)

Member Association						
Family Name					Male	Female
Given Name						
Date of Birth	DD	MM	YY			
Sport / Discipline						
I will participate as a(n):	Athlete		Coach/ Trainer		Official	
Registration Number						
Passport No					Passport photo page copy attached (compulsory)  Yes (tick box)	

- I declare that I have read and that I have full knowledge of the provisions of the Rules and Regulations for the Event currently in force and I agree to comply with all such provisions and, in particular (but without limitation), with provisions of the Rules and Regulations regarding (i)



eligibility for participation in the Event, (ii) ethical standards, fair play, appropriate behaviour and respect for others, (iii) anti-doping (iv) the media, and (v) all and any restrictions and/or prohibitions on forms of personal advertising, branding, sponsorship, endorsement, publicity or propaganda on persons or on clothing and equipment worn or used at the Event. I declare that I have full knowledge of all such provisions and that all provisions applicable to my participation in the Event have been specifically brought to my attention by my Member Association and are specifically approved by me.

2. I agree that I will abide by all reasonable directions given to me by Event officials, of World Archery, and/or the Local Organising Committee and that I will familiarise myself with and abide by all guidelines, rules, regulations, protocols and other directions issued in relation to the Event at any point in the future.
3. I further agree to fully comply with the provisions of the World Anti-Doping Code in force at the time of the Event as well as the World Archery anti-doping rules applicable to the Event. I am willing to submit to any tests (urine, blood, or other that are recognised by the World Anti-Doping Code) carried out at the event and to inform my team doctor of any medication I take.
4. In consideration of the acceptance of my participation in the Event, I agree to be filmed, televised, photographed, identified, interviewed and otherwise recorded during the Event for the purposes of the international media coverage of the Event (by means of all and any media throughout the world in perpetuity) and the promotion of the sport. I hereby assign with full title guarantee in perpetuity to the World Archery Federation all rights of any nature in any such recordings. I agree that my name and image and any photographs and moving images taken of me (or other representation of me) at the Event may be used by World Archery and/or Local Organising Committee for the purposes of publicising the Event and promoting the sport and that they may be used by official sponsors or other commercial partners of the Event on a free of charge worldwide basis for the purpose of promoting their sponsorship of/official relationship with the Event provided always that any such use by Event sponsors/commercial partners of my image shall be limited to images of me (together with use of my name) taken or recorded whilst participating in the Event and shall not constitute an endorsement of their products and services by me. I additionally consent to the use and reproduction of my name, image and photographs of me in merchandise and publications relating to the Event including without limitation computer games and publications provided always that such merchandise is primarily related to the Event itself as opposed to me personally. I agree that all photographs and moving images taken by me at the Event, including those of athletes competing at the Event, shall be used solely for personal use and non-commercial purposes, unless prior written consent is obtained from the World Archery. I further agree that under no circumstances, throughout the duration of the Event, may I act as a journalist or in any other media capacity without the express permission of World Archery.



5. Personal Data – that World Archery, or third parties contracted by World Archery, may collect, store, process, use and disclose to third parties, my personal data related to their participation in any competition organized under the umbrella of World Archery (the “Personal Data”) to the extent necessary to facilitate participation in, and/or the organizing of, Archery events, and may create and keep up to date my Personal Data on sports databases, and may use such Personal Data in any other way in which I have or will provide my express consent or as may be required by law.
6. I agree that I will accept any prizes or awards given to me by World Archery or the sponsors of the Event for my participation, and I will attend all special award ceremonies at which prizes or awards are presented. If I am requested to attend a press conference by World Archery or its representative I will (without any delay) attend this conference. I acknowledge that by not doing so sanctions may be imposed. I also agree not to participate in, support or promote betting related to the Event.
7. I acknowledge and agree that:
  - a. I participate in the Event at my own risk and that I will take all reasonable measures to protect myself from the risks of participation;
  - b. I am responsible for all property I bring into the Event sites and that the World Archery Federation and the Local Organising Committee for the Event shall have no responsibility for any loss or damage of this property.
  - c. neither the World Archery Federation or Local Organising Committee shall be obliged to arrange any insurances connected with my participation in the Event, including without limitation travel insurance and medical insurance.
7. I irrevocably release World Archery and the Local Organising Committee (and their respective members, directors, officers, employees, volunteers, contractors or agents) from liability (to the extent permitted by law) for any loss, injury or damage that I may suffer in relation to my participation in the Event.
8. I acknowledge and agree that my participation in the Event is conditional upon my valid acceptance of and my compliance with each and all of the provisions of this entry form and this entry form constitutes a valid and binding contract that will remain valid for future events organised by World Archery unless I am required by World Archer to enter into a new participation agreement for any such future events.



9. I agree that any dispute, controversy or claim arising out of, in connection with, or on the occasion of the Event, not resolved after exhaustion of the legal remedies established by my National Sports Federation, the World Archery Federation, and/or the Local Organising Committee, shall be submitted exclusively to the Court of Arbitration for Sport (CAS) for final and binding arbitration in accordance with the Code of Sports-related Arbitration. The decisions of the CAS shall be final, binding and non-appealable. I shall not and I hereby waive my right to institute any claim, arbitration or litigation, or seek any other form of relief, in any other court or tribunal.

10. The Member Association hereby certifies and guarantees that all the relevant rules including all those referred to above, have been brought to the attention of the participant.

Signature of participant		Date
--------------------------	--	------

Member Association Signature and Stamp		Date
---	--	------



## CONGRESS MOTION 4 FOR LAW FORM

According to WA Constitution & Rules, Book 1, Art.1.6.12, 1.6.14, Appendix 1, Art.6.4

To be submitted to the World Archery Office, attention Thomas Aubert, taubert@archery.org

1. Submitted by:	Constitution & Rules
2. In Quality of: <i>Please tick one</i>	World Archery President <input type="checkbox"/> Executive Board <input checked="" type="checkbox"/> Permanent Committee <input type="checkbox"/> Member Association <input type="checkbox"/> Continental Association <input type="checkbox"/>
3. Date Submitted to WA Office :	3/3/17
3. Book, Chapter, Article	Article 2.1.1
4. Text of the motion (*)	2.1.1. Athletes who wish to participate in Championships, Games, International and National Tournaments, which are recognised or controlled by World Archery or a Member Association, in one or more of the various disciplines recognised by World Archery, shall be affiliated with a Member Association <b><u>and have a valid international licence.</u></b>
5. Reason	An international license will be introduced so that all athletes have a valid medical and travel insurance. Furthermore it is a way to interact with the athletes and have the appropriate personal data of the athletes for biographical reasons. The implementation will be done through the respective bylaws



## CONGRESS

### MOTION 5 FOR LAW FORM

According to WA Constitution & Rules, Book 1, Art.1.6.12, 1.6.14, Appendix 1, Art.6.4

To be submitted to the World Archery Office, attention Thomas Aubert, taubert@archery.org

1. Submitted by:	Target Archery Committee
2. In Quality of: <i>Please tick one</i>	World Archery President <input type="checkbox"/> Executive Board <input type="checkbox"/> Permanent Committee <input checked="" type="checkbox"/> Member Association <input type="checkbox"/> Continental Association <input type="checkbox"/>
3. Date Submitted to WA Office :	27 February 2017
3. Book, Chapter, Article	Book 2, Chapter 3 Article 3.1.1, 3.3, 3.18, 3.20 Chapter 4, Article 4.5.2.5
4. Text of the motion (*)	<p>3.1.1. World Archery arranges for the organisation of the following Championships:</p> <ul style="list-style-type: none"> <li>○ World Archery Championships: Recurve and Compound Divisions;</li> <li>○ <del>World Archery Indoor Championships (optional for Juniors): Recurve and Compound Divisions;</del> <b>18m Archery World Series Final for Recurve and Compound Divisions;</b></li> <li>○ World Archery Field Championships (optional for Juniors): Barebow, Recurve and Compound Divisions;</li> <li>○ World Archery Youth Championships (Juniors and Cadets): Recurve and Compound Divisions;</li> <li>○ World Archery Para Championships: Recurve and Compound Divisions;</li> <li>○ World Archery 3D Championships: Barebow, Instinctive Bow, Longbow and Compound Divisions;</li> <li>○ Target, Indoor and Field Archery for Masters: Barebow (for Field only), Recurve and Compound Divisions (if possible together with other Masters events).</li> </ul> <p>And for the divisions as defined in their respective chapters:</p> <ul style="list-style-type: none"> <li>○ World Archery Flight Championships;</li> <li>○ World Archery Ski Championships;</li> <li>○ World Archery Run Championships.</li> </ul> <p>Despite the above provision, a World Championship does not</p>



have to be awarded if the Executive Board determines it is not appropriate.

3.3.1. World Archery Championships shall be held every two years as follows:

- World Archery in odd years;
- World Archery Field in even years;
- ~~World Archery Indoor in even years;~~
- World Archery Youth in odd years;
- World Archery Flight in even years;
- World Archery Ski every year;
- World Archery Run in even years;
- World Archery 3D in odd years;
- World Para-Archery in odd years;
- World Archery Masters in even years.

**18m Archery World Series Final shall be held every year.**

3.18.2. ~~The format for the World Archery Indoor Championships Final shall be a Qualification Round consisting of the 18m Round followed by an Indoor Match Round.~~ **18m Archery World Series Final shall consist in an Indoor Match Round in each category.**

3.20.1. For Olympic Games, World Archery, World Archery Youth, World Archery Para, ~~World Archery Indoor Championships~~ **18m Archery World Series and Final** and all International Events, the following Finals field of play rules apply:

4.5.2. Indoor Archery Rounds

4.5.2.1. The 18m Round consists of 60 arrows on the 40cm target face or the 40cm triple face.

**4.5.2.1.1. 18m Archery World Series**

- **The number and location of 18m World Archery Series events shall be published in World Archery Calendar at least three months prior the first event.**
- **18m Archery World Series event qualification shall consist of an 18m round, or in any other type of round as determined by the organizer, with the approval of World Archery.**
- **18m Archery World Series elimination round shall consist in an Indoor Match round, or in any other type of round as determined by the organizer, with the approval of World Archery.**
- **Athletes will be awarded with ranking points according to final their ranking position after**



	<p><b>elimination round. The table of points shall be published on World Archery website at least three months prior the first event.</b></p> <ul style="list-style-type: none"> <li>○ <b>Athletes will be ranked on the total of all points gathered during the 18m Archery World Series.</b></li> </ul> <p><b>4.5.2.1.2. 18m Archery World Series Final</b></p> <ul style="list-style-type: none"> <li>○ <b>Athletes wishing to qualify for the 18m Archery World Series Final shall compete in at least two events.</b></li> <li>○ <b>The best 16 athletes in each open division will qualify for the 18m Archery World Series Final</b></li> <li>○ <b>18m Archery World Series elimination round shall consist in an Indoor Match round.</b></li> <li>○ <b>In a tied situation to qualify for the 18m Archery World Series Final, a shoot-off will be made before the beginning of the 18m Archery World Series Final. The shoot-off will be conducted on a 40cm vertical tri-spot target face with each athlete shooting one (1) arrow, closest to the centre of the target, as per the World Archery shoot off rules in Indoor Competitions.</b></li> </ul> <p>4.5.2.5. Vertical triple faces shall be mandatory for the <del>World Archery Indoor Championships</del>. <b>18m Archery World Series Final.</b></p> <p>5.1.2. <del>World Archery Indoor Championships</del> <b>18m Archery World Series Final</b>, for the Recurve and Compound Divisions:      Junior Woman World Champion;      Junior Man World Champion;  <del>Junior Women's Team World Champion;</del>  <del>Junior Men's Team World Champion;</del>      Woman World Champion;      Man World Champion;  <del>Women's Team World Champion;</del>  <del>Men's Team World Champion;</del>      Master Woman World Champion;      Master Man World Champion.</p> <p>7.2.2.1. Description:      The 122cm, 80cm, 60cm and 40cm faces are divided into five concentric colour zones arranged from the centre outwards as follows: yellow (gold), red, light blue, black and white. Each colour is divided by a thin line into two zones of equal width thus making 10 scoring zones of equal width when measured from the centre of the gold:</p> <ul style="list-style-type: none"> <li>○ 6.1cm on the 122cm target face;</li> </ul>
--	--



- 4cm on the 80cm target face;
- 3cm on the 60cm face;
- 2cm on the 40cm face.

The dividing lines shall be entirely within the higher scoring zone in each case. There are no dividing lines between light blue and black, nor between black and white. The line marking the outermost edge of the white shall be made entirely within the scoring zone. The width of the thin dividing line and the outermost line shall not exceed 2mm on the target faces. The centre of the target face shall be indicated by a small "+" (cross). The lines of the cross shall not exceed 1mm in width or 4mm in length. An inner 10 ring, (which is marked as an X on the score cards) of 6.1cm in diameter for the 122cm target face and 4cm in diameter for the 80cm target face, is required to help determine ties in ranking. For indoor compound events the 10 ring is 3cm on the 60cm face and 2cm in diameter for the 40cm face.

- Outdoors the 80cm 6-ring face may be used at 50m, 40m and 30m. The rings have the same dimensions as the 80cm faces, but with the 4 to 1 scoring zones removed. The lowest scoring zone is the light blue 5.
- Indoors triple faces may be used as follows. (For the Indoor Match Round the 40cm triple face shall be used. Rand C- vertical triple faces are mandatory for the ~~World Archery Indoor Championships~~ **18m Archery World Series and Final**). They have the same dimensions as the World Archery 60cm and 40cm faces respectively, but with the 5 to 1 scoring zones removed. The lowest scoring zone is therefore light blue 6. Each set consists of three small faces on a white background arranged symmetrically in a triangular pattern with the centres respectively bottom left, at the top, and at the bottom right, or in a vertical row. The centres of the golds shall be approximately 32cm distant from each other on 60cm faces and 22cm distant from each other on 40cm faces. There is a distinction between regular triple faces and Recurve (R) and Compound (C) 40cm triple faces. The 40cm triple face (both triangular and vertical) will differ in the size of the 10 ring: the 40cm-R has a 40mm 10 ring, the 40cm-C has a 20mm 10 ring and the combined triple face has the two 10-rings.

#### 7.2.4.1. Rounds and faces.

For the Indoor Match Round, the triple 40cm faces shall be used. In the Elimination and Finals Rounds the faces shall be set in pairs on each target butt. Vertical triple faces shall be mandatory for the ~~World Archery Indoor Championship~~ **18m Archery World Series and Final**. The use of single or triple



	<p>faces in all other competitions is the choice of the organisers, who can allow the athletes in the same class and division to shoot on a different type of face.</p>
<p>5. Reason</p>	<p>The World Indoor Championships are no longer in balance between participation levels and requirements to host in suitable facilities and the level of competition from the World Indoor World Cup circuit, is certainly at a World Championship level, if not higher.</p> <ul style="list-style-type: none"> <li>• Decrease in participation at World Archery Indoor Championships ("WAIC"), especially since introduction of Archery World Cup in 2006. Increase in participation of Indoor World Cup ("IWC") and other large indoor events around the world.</li> <li>• Figures for last four IWC seasons:       <ul style="list-style-type: none"> <li>○ 2013/14: 169 / 212 / 865 / 2150</li> <li>○ 2014/15: 156 / 329 / 1033 / 2578</li> <li>○ 2015/16: 195/ 221 / 1063 / 3050</li> <li>○ 2016/17: 252 / 309 / 894 / 3485</li> </ul> </li> <li>• Figures for last four World Archery Indoor Championships:       <ul style="list-style-type: none"> <li>○ 2009: 338</li> <li>○ 2012: 269</li> <li>○ 2014: 353</li> <li>○ 2016: 262</li> </ul> </li> <li>• More countries now attending IWC events than WAIC. Lack of funding for nations to attend WAIC, and a lot of pressure on budgets with the AWC and multiple WAC. No evolution in attendance at WAIC – always the same nations and decreasing.</li> <li>• Open entry, high-participation events becoming normal in archery and other sports. By growing the open-entry IWC, emulate sports like triathlon who have successfully launched huge mass-athlete, multi-leg tournaments</li> <li>• High cost for World Archery on WAIC, for diminishing return – We therefore can allocate it to other activities such as IWC.</li> <li>• Top 32 cuts at events like Nimes are higher than that of the WAIC – thus some non-WAIC events are of a higher level than the one that awards the title of world champion.</li> <li>• Changes in international schedule of the World Archery Youth Championships is held in the Olympic year, which make the archery calendar even more strained and</li> </ul>



	<p>increase the budget challenges to our Member Associations.</p> <ul style="list-style-type: none"><li>• Lack of clarity between Archery World Cup and Indoor Archery World Cup. Athletes think because one is open entry the other is too. It generates a lot of confusion. The proposed name change of the Indoor World Cup to 18m Archery World Series is to make a clear distinction with the Outdoor World Cup</li><li>• Lack of emphasis on juniors. (comment regarding results being shown after Nimes this year. It makes it complicated to have some divisions shown, some not.)</li></ul>
--	--

(\*) Please state the wording to be used **precisely** with the new requested version/addition/amendment **in full words**.



## CONGRESS MOTION 6 FOR LAW FORM

According to WA Constitution & Rules, Book 1, Art.1.6.12, 1.6.14, Appendix 1, Art.6.4

To be submitted to the World Archery Office, attention Thomas Aubert, taubert@archery.org

1. Submitted by:	Target Archery Committee
2. In Quality of: <i>Please tick one</i>	World Archery President <input type="checkbox"/> Executive Board <input type="checkbox"/> Permanent Committee <input checked="" type="checkbox"/> Member Association <input type="checkbox"/> Continental Association <input type="checkbox"/>
3. Date Submitted to WA Office :	27 February, 2017
3. Book, Chapter, Article	Book 2, 4.5.1.2 / 4.5.1.3
4. Text of the motion (*)	<p>Remove from Book 2:</p> <p>4.5.1.2. The 1440 Round consists of 36 arrows from each of the following distances shot in this order:</p> <ul style="list-style-type: none"> <li>• 60, 50, 40, 30m for Cadet Women and Master Women;</li> <li>• 70, 60, 50, 30m for Cadet Men, Junior Women, Women and Master Men;</li> <li>• 90, 70, 50, 30m for Junior Men and Men.</li> </ul> <p>The distances can also be shot in the reverse order (from shorter to longer). The 122cm target face is used for the 90, 70, 60m (and 50m for Cadet and Master Women) distances and the 80cm face shall be used for the 50 (other than Cadet and Master Women), 40 and 30m distances. The 80cm multiple centre set-up may be used at 30, 40 and 50m.</p> <p>4.5.1.3. The Double 1440 Round consists of two 1440 Rounds shot consecutively.</p>



	And have these included in Book 5 as a Bylaw.
5. Reason	The goal is to move those rounds which are not contested at the World Championships or World Cups, to Book 5 to permit modifications to these rounds be made as bylaws as appropriate. World records and other awards would remain for the 1440 Round and the Double 1440 Round.

(\* Please state the wording to be used **precisely** with the new requested version/addition/amendment **in full words**.



## CONGRESS MOTION 7 FOR LAW FORM

According to WA Constitution & Rules, Book 1, Art.1.6.12, 1.6.14, Appendix 1, Art.6.4

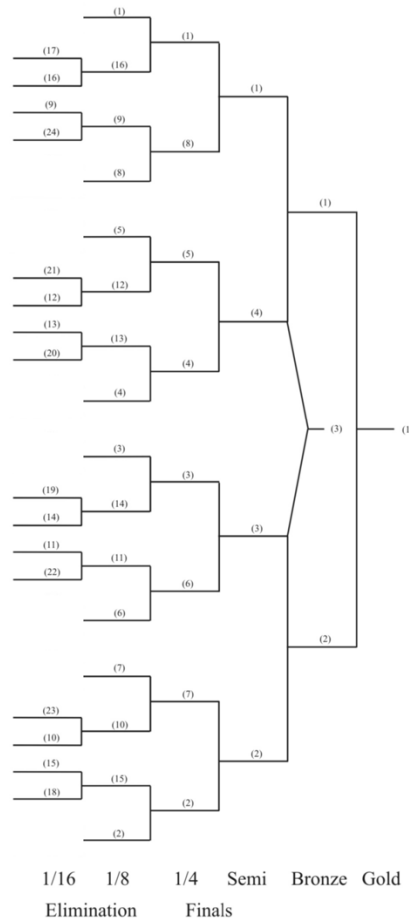
To be submitted to the World Archery Office, attention Thomas Aubert, taubert@archery.org

1. Submitted by:	Target Archery Committee
2. In Quality of: <i>Please tick one</i>	World Archery President <input type="checkbox"/> Executive Board <input type="checkbox"/> Permanent Committee <input checked="" type="checkbox"/> Member Association <input type="checkbox"/> Continental Association <input type="checkbox"/>
3. Date Submitted to WA Office :	24 February, 2017
3. Book, Chapter, Article	Book 2, Chapter 4, Article 4.5.1.4 (Team Elimination Round and Mixed Team Round) For both compound and recurve – outdoor target archery competition.
4. Text of the motion (*)	<p>Change the number of Teams (including Mixed) to 24 after qualification (outdoor target archery competition):</p> <p>4.5.1.4. The Elimination and Final Rounds consist of:</p> <p>(3<sup>rd</sup> bullet)</p> <ul style="list-style-type: none"> <li>• The Team Elimination Round, in which the top <del>16</del><u>24</u> teams of three athletes seeded according to their positions as determined by their total score in the Qualification Round (see <a href="#">Appendix 4-Match Play Charts</a>) shoot simultaneously a series of matches, each match for recurve consisting of the best of four sets of six arrows (two per athlete) and for compound consisting of four ends of six arrows (two per athlete) in cumulative score;</li> </ul> <p>(5th bullet)</p> <ul style="list-style-type: none"> <li>• The Mixed Team Round in which the top <del>16</del><u>24</u> teams composed of the top ranked man and the top ranked woman from the same Member Association are seeded according to their positions as determined by their total</li> </ul>



score in the Qualification Round (see [Appendix 4-Match Play Charts](#)), shoot simultaneously a series of matches, each match for recurve consisting of the best of four sets of four arrows (two per athlete) and for compound consisting of four ends of four arrows (two per athlete) in cumulative score;

Corresponding revision to Appendix 4 – Match Play Chart



16 teams are clearly not enough, in the recurve competition, there were more than 60 mixed teams and more than 101 teams in Copenhagen. In the compound competition, there were more than 57 mixed teams and 57 teams.

(\* ) Please state the wording to be used **precisely** with the new requested version/addition/amendment **in full words**.



## CONGRESS MOTION 8 FOR LAW FORM

According to WA Constitution & Rules, Book 1, Art.1.6.12, 1.6.14, Appendix 1, Art.6.4

To be submitted to the World Archery Office, attention Thomas Aubert, taubert@archery.org

1. Submitted by:	Target Archery Committee
2. In Quality of: <i>Please tick one</i>	World Archery President <input type="checkbox"/> Executive Board <input type="checkbox"/> Permanent Committee <input checked="" type="checkbox"/> Member Association <input type="checkbox"/> Continental Association <input type="checkbox"/>
3. Date Submitted to WA Office :	27 February, 2017
3. Book, Chapter, Article	Book 2, 4.5.1.6, 4.5.1.9, 4.5.1.10, 4.5.1.11, 4.5.12, 4.5.2.6, and 4.5.2.7
4. Text of the motion (*)	<p>Remove from Book 2:</p> <p>Outdoor Rounds:</p> <p>4.5.1.6. The 60m Round (for Recurve) for Cadets and Masters consists of 72 arrows shot at 60m on the 122cm target face.</p> <p>4.5.1.9. The 900 Round consists of 30 arrows shot from each of the 60, 50, 40m distances on the 122cm target face.</p> <p>4.5.1.10. The Standard Round consists of 36 arrows at 50m and 36 arrows at 30m, shot in ends of three arrows on the 122cm target face.</p> <p>4.5.1.11. The Duel Match Round consists of matches shot at 70m on the 122cm target face.</p> <p>4.5.1.12. The Club Round.</p> <p>Indoor Rounds:</p>



	<p>4.5.2.6. The Duel Match Round shot entirely on the 40cm vertical triple face (see <a href="#">34.2</a>).</p> <p>4.5.2.7. The Club Round (see <a href="#">34.1</a>).</p> <p>And have these included in Book 5 as a Bylaw.</p>
5. Reason	<p>The goal is to move those rounds which are not contested at the World Championships or World Cups, to Book 5 to permit modifications to these rounds be made as bylaws as appropriate. World records and other awards would remain as currently recognized.</p>

(\*) Please state the wording to be used **precisely** with the new requested version/addition/amendment **in full words**.



## CONGRESS MOTION 9 FOR LAW FORM

According to WA Constitution & Rules, Book 1, Art.1.6.12, 1.6.14, Appendix 1, Art.6.4

To be submitted to the World Archery Office, attention Thomas Aubert, taubert@archery.org

1. Submitted by:	Target Archery Committee
2. In Quality of: <i>Please tick one</i>	World Archery President <input type="checkbox"/> Executive Board <input type="checkbox"/> Permanent Committee <input checked="" type="checkbox"/> Member Association <input type="checkbox"/> Continental Association <input type="checkbox"/>
3. Date Submitted to WA Office :	28 February 2017
3. Book, Chapter, Article	Book 2 Article 5.3.1.1
4. Text of the motion (*)	5.3.1.1 add new bullet – below “70m Round (72 arrows)”: <ul style="list-style-type: none"> <li>• Double 70m Round (144 arrows)</li> </ul> Add a new bullet – below “Compound 50m Round (72 arrows)”: <ul style="list-style-type: none"> <li>• Compound Double 50m Round (144 arrows)</li> </ul> A bylaw will be submitted to add to Book 5 the following rounds: Double 70m round (for Recurve) consisting of two 70M Rounds shot consecutively. The Compound Double 50m Rounds shot consecutively.
5. Reason	To recognize the Double 70m Round as a World Archery Round (Book 5) and for World Records. Many tournaments are organized to shoot 2 720 rounds (70/50m rounds) on one day, one after the other. Recognizing these rounds as a ‘Double 70m Round for recurve and ‘Compound Double 50m Round’ (abbreviated as ‘Double 720’) would allow for the recognition for these events for World Records for both compound and recurve. The 70m/50m round would still be recognized.

(\*) Please state the wording to be used **precisely** with the new requested version/addition/amendment **in full words**.



## CONGRESS MOTION 10 FOR LAW FORM

According to WA Constitution & Rules, Book 1, Art.1.6.12, 1.6.14, Appendix 1, Art.6.4

To be submitted to the World Archery Office, attention Thomas Aubert, taubert@archery.org

1. Submitted by:	Target Archery Committee
2. In Quality of: <i>Please tick one</i>	World Archery President <input type="checkbox"/> Executive Board <input type="checkbox"/> Permanent Committee <input checked="" type="checkbox"/> Member Association <input type="checkbox"/> Continental Association <input type="checkbox"/>
3. Date Submitted to WA Office :	27 February, 2017
3. Book, Chapter, Article	Book 2, 4.5.2.2 and 4.5.2.3
4. Text of the motion (*)	Remove from Book 2:  4.5.2.2. The 25m Round consists of 60 arrows on the 60cm target face or the 60cm triple face. 4.5.2.3. The Combined Round consists of the above two rounds shot in succession over one or two days with either round shot first.  And have these included in Book 5 as a Bylaw.
5. Reason	The goal is to move those rounds which are not contested at the World Championships or World Cups, to Book 5 to permit modifications to these rounds be made as bylaws as appropriate. World records and other awards would remain for the 25m Round and the Combined Round.

(\*) Please state the wording to be used **precisely** with the new requested version/addition/amendment **in full words**.



## CONGRESS MOTION 11 FOR LAW FORM

According to WA Constitution & Rules, Book 1, Art.1.6.12, 1.6.14, Appendix 1, Art.6.4

To be submitted to the World Archery Office, attention Thomas Aubert, taubert@archery.org

1. Submitted by:	Constitution and Rules Committee
2. In Quality of: <i>Please tick one</i>	World Archery President <input type="checkbox"/> Executive Board <input type="checkbox"/> Permanent Committee <input checked="" type="checkbox"/> Member Association <input type="checkbox"/> Continental Association <input type="checkbox"/>
3. Date Submitted to WA Office :	9 March 2017
3. Book, Chapter, Article	Book 2, 4.5.5, 4.5.5.1, 4.5.3.2, 4.5.3.3, 4.5.8, and 4.5.8.1,
4. Text of the motion (*)	<p>Remove from Book 2:</p> <p>4.5.5. The Clout Round</p> <p>4.5.5.1. See <a href="#">34.4.4</a>.</p> <p>4.5.3.2. The Arrowhead Round consists of 24, 28, 32, 36, 40, 44 or 48 targets which is two complete Field Rounds. The distances are set out in <a href="#">4.5.3.5</a>, <a href="#">4.5.3.6</a> and <a href="#">4.5.3.7</a>. The rounds may be shot on marked, unmarked or any combination of marked and unmarked targets.</p> <p>4.5.3.3. The Forest Round consists of 12, 16, 20 or 24 targets, with up to three arrows per target. The round is normally shot on unmarked targets but may be shot on marked targets provided the distances are within the limits set forth in <a href="#">34.3.3.2</a>.</p> <p>4.5.8. The Run-Archery Rounds</p> <p>4.5.8.1. The Run-Archery Rounds combine cross-country running</p>



	<p>and archery (see <a href="#">34.7</a>).</p> <p>And have these included in Book 5 as a Bylaw.</p>
5. Reason	<p>The goal is to move those rounds which are not contested at the World Championships or World Cups, to Book 5 to permit modifications to these rounds be made as bylaws as appropriate. World records and other awards would remain as currently recognized.</p>

(\*) Please state the wording to be used **precisely** with the new requested version/addition/amendment **in full words**.

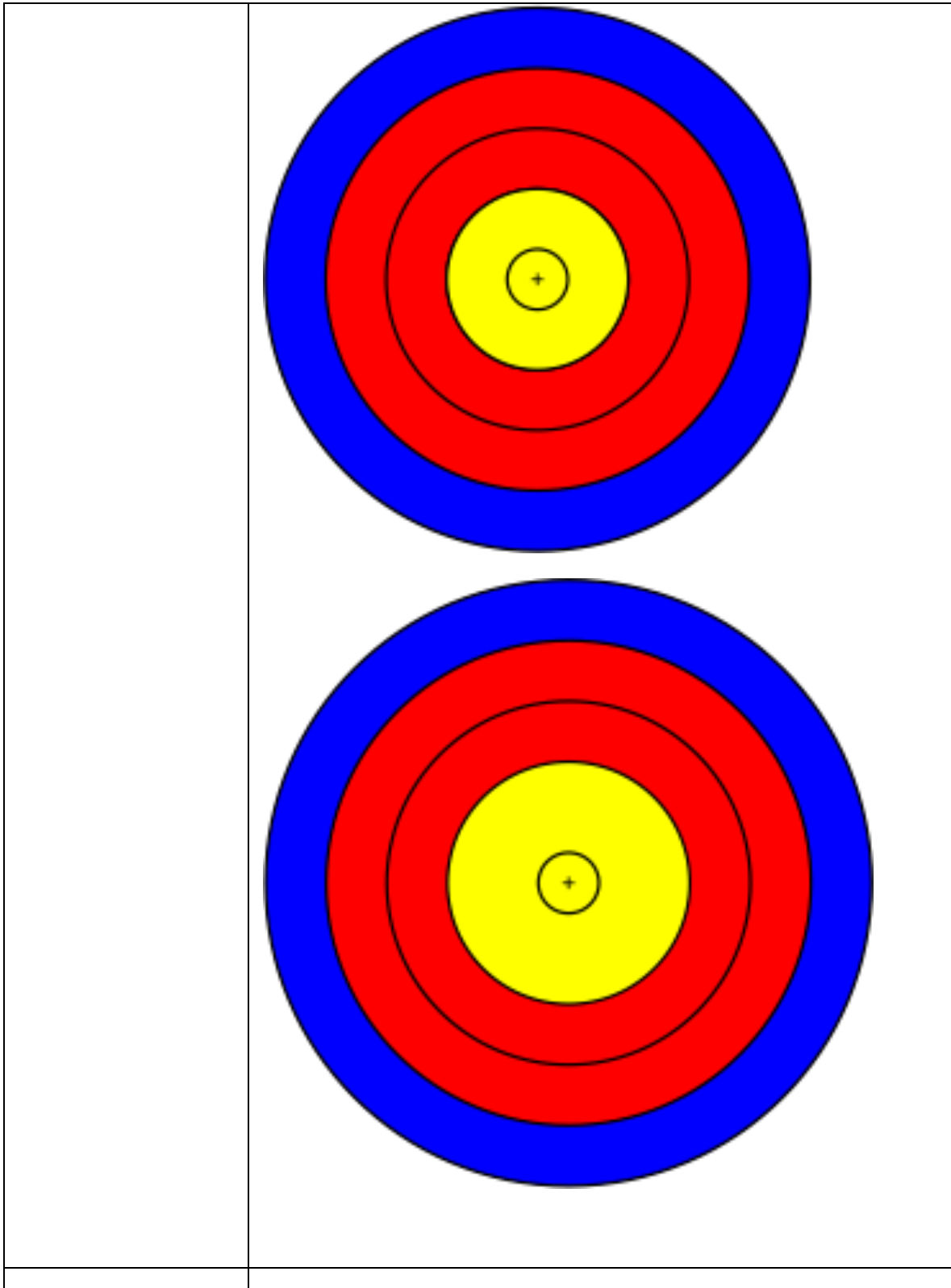


## CONGRESS MOTION 12 FOR LAW FORM

According to WA Constitution & Rules, Book 1, Art.1.6.12, 1.6.14, Appendix 1, Art.6.4

To be submitted to the World Archery Office, attention Thomas Aubert, taubert@archery.org

1. Submitted by:	Target Archery Committee
2. In Quality of: <i>Please tick one</i>	World Archery President <input type="checkbox"/> Executive Board <input type="checkbox"/> Permanent Committee <input checked="" type="checkbox"/> Member Association <input type="checkbox"/> Continental Association <input type="checkbox"/>
3. Date Submitted to WA Office:	27 February 2017
3. Book, Chapter, Article	Book 2, Chapter 7, Article 2.2, 2.2.1  7.2.2.3. Tolerance of measurement  Book 3, Images on pages 39 – 41 Will have to be adjusted to reflect the new compound face.  Add to Book 3 Image 3, Descriptions of triple faces as the faces are not 40cm, the 'new' Compound target face is 18cm in diameter with each zone 2cm.  For visual explanation here the difference:





4. Text of the motion (*)	<p>Book 2, Chapter 7, Article 2.2</p> <ul style="list-style-type: none"> <li>• <del>The 40cm R triangular triple face;</del></li> <li>• <del>The 40cm C triangular triple face;</del></li> <li>• The 20cm-(R) Recurve vertical triple face;</li> <li>• The <del>40cm</del> 18cm (C) Compound Target Face .</li> </ul> <p>Book 2, Chapter 7, Article 2.2 1</p> <p>Indoors triple faces may have to be used: 20cm-R vertical triple face and Compound Target Face. (<del>For the Indoor Match Round the 40cm triple face shall be used. R and C vertical triple faces are mandatory for the World Archery Indoor Championships</del>). They have the same dimensions as the World Archery 60cm and 40cm faces respectively, but with the 5 to 1 scoring zones removed. The lowest scoring zone is therefore light blue 6. Each set consists of three small faces on a white background arranged symmetrically in <del>a triangular pattern with the centres respectively bottom left, at the top, and at the bottom right, or in a vertical row. The centres of the golds shall be approximately 32cm distant from each other on 60cm faces and 22cm distant from each other on 40cm faces. There is a distinction between regular triple faces and Recurve (R) and Compound (C) Target faces. The 40cm triple face (both triangular and vertical) will differ in the size of the 10 ring: the 40cm R has a 40mm 10 ring, the 40cm C has a 20mm 10 ring and the combined triple face has the two 10 rings.</del></p> <p>...</p> <p>7.2.2.3. Tolerance of measurement</p> <table border="1" data-bbox="459 1581 1158 2022"> <thead> <tr> <th rowspan="2">Zone</th> <th colspan="3">Diameters in cm</th> <th rowspan="2">Tolerance in mm ±</th> </tr> <tr> <th>60</th> <th>40</th> <th>C</th> </tr> </thead> <tbody> <tr> <td><del>Compound 10</del> 3</td> <td>3</td> <td>2</td> <td></td> <td>±</td> </tr> <tr> <td>Recurve 10</td> <td>6</td> <td>4</td> <td>2</td> <td>1</td> </tr> <tr> <td>9</td> <td>12</td> <td>8</td> <td>6</td> <td>1</td> </tr> <tr> <td>8</td> <td>18</td> <td>12</td> <td>10</td> <td>1</td> </tr> <tr> <td>7</td> <td>24</td> <td>16</td> <td>14</td> <td>2</td> </tr> <tr> <td>6</td> <td>30</td> <td>20</td> <td>18</td> <td>2</td> </tr> <tr> <td>5</td> <td>36</td> <td>24</td> <td></td> <td>2</td> </tr> <tr> <td>4</td> <td>42</td> <td>28</td> <td></td> <td>2</td> </tr> </tbody> </table>	Zone	Diameters in cm			Tolerance in mm ±	60	40	C	<del>Compound 10</del> 3	3	2		±	Recurve 10	6	4	2	1	9	12	8	6	1	8	18	12	10	1	7	24	16	14	2	6	30	20	18	2	5	36	24		2	4	42	28		2
Zone	Diameters in cm			Tolerance in mm ±																																													
	60	40	C																																														
<del>Compound 10</del> 3	3	2		±																																													
Recurve 10	6	4	2	1																																													
9	12	8	6	1																																													
8	18	12	10	1																																													
7	24	16	14	2																																													
6	30	20	18	2																																													
5	36	24		2																																													
4	42	28		2																																													



	3	48	32		2
	2	54	36		2
	1	60	40		2
	<p>Add to Book 3 Image 3, Descriptions of triple faces as the faces are not 40cm, the 'new' Compound target face is 18cm in diameter with each zone 2cm.</p>				
5. Reason	<p>Compound archery needs a dedicated target.            Over the past years only the scoring has been changed so that the 40mm (Recurve 10) was reduced to the 20mm (Compound ten/ X) but the target face has never been redesigned.            Especially after the last change, where the Recurve (40mm) 10 has been removed from the actual Compound target faces (mandatory for finals), it is clear to everybody that the value of the 9 is higher rated than the value of any other ring of the target.            For TV, Media and spectators there is no understanding why the value ratio of the 9 should be higher due to a larger diameter.            For this reason the Target Committee developed a PROPORTIONAL TARGET FACE for Compound, where all the rings have the same size ratio as the highest scoring zone, the 10: the 9, 8, 7 and 6 ring have the same 20mm size.            The visual impact is clearly better and more understandable.            Due to the fact that the highest score is not affected by this change, all existing records can be retained.</p>				

(\*) Please state the wording to be used **precisely** with the new requested version/addition/amendment **in full words**.



## CONGRESS

### MOTION 13 FOR LAW FORM

According to WA Constitution & Rules, Book 1, Art.1.6.12, 1.6.14, Appendix 1, Art.6.4

To be submitted to the World Archery Office, attention Thomas Aubert, taubert@archery.org

1. Submitted by:	Field and 3D Committee
2. In Quality of: <i>Please tick one</i>	World Archery President <input type="checkbox"/> Executive Board <input type="checkbox"/> Permanent Committee <input checked="" type="checkbox"/> Member Association <input type="checkbox"/> Continental Association <input type="checkbox"/>
3. Date Submitted to WA Office :	10.03.2017
3. Book, Chapter, Article	Book 2
4. Text of the motion (*)	<p>The World Archery F&amp;3D committee request that the “new” Book 2 be adopted in relation to the chapters affecting F&amp;3D archery.</p> <p>Enclosed with this request is a version of the book that contains all the amendments that we request, with additions in coloured text, removals being crossed through and notes in another colour.</p>
5. Reason	<p>Book 2 had a number of repetitions and editorial changes that were required discussed at the multi committee meeting in December. As a result the F&amp;3D committee have looked at the book and reworded a number of bylaws and edited the wording of some in order to reflect the current practices in F&amp;3D archery</p>

(\*) Please state the wording to be used **precisely** with the new requested version/addition/amendment **in full words**.

# **Book 2**

# **Events**

## 4.1.1. Field Archery Rounds

4.1.1.1. The Field Round consists of ~~12, 16, 20 or~~ 24 targets. Three arrows are shot per target. These targets shall be laid out in a course considering the challenges in aiming and shooting as the tradition of the discipline requires. The distances for target butts are set out in [Article 8.1.1.9, 4.5.3.5, and Article 8.1.1.10, 4.5.3.6, and Article 4.5.3.7](#). The course may be all marked or all unmarked or a combination of marked and unmarked distances. There may be any number of walk-ups or fan targets.

4.1.1.1.1. *A round may use the same course twice, except at World Championships.*

~~4.1.1.1.2. Whenever possible the shooting pegs should be combined.~~

4.1.1.2. The Arrowhead Round consists of 24, ~~28, 32, 36, 40, 44 or~~ 48 targets which is two complete Field Rounds. The distances are set out in [Article 4.5.3.5, and Article 4.5.3.6, and Article 4.5.3.7](#). The rounds may be shot on marked, unmarked or any combination of marked and unmarked targets.

~~4.1.1.3. The Forest Round consists of 12, 16, 20 or 24 targets, with up to three arrows per target. The round is normally shot on unmarked targets but may be shot on marked targets provided the distances are within the limits set forth in Article 34.3.3.2. in Move this to 4.5.3.10 ??~~

4.1.1.4. The World Archery Field Championship Round in which there are no walk-up or fan targets, consists of:

4.1.1.4.1. The Qualification Round, two Field Rounds each of 24 targets, one unmarked course to be shot on the first day of competition and one marked (long course) to be shot on the second day of competition;

4.1.1.4.2. The Elimination Rounds, the first Elimination Round, in which the top 16 athletes in each category shoot 12 marked targets, three arrows per target. In the second Elimination Round the top eight athletes shall shoot eight marked targets, three arrows per target. If there are fewer than 17 or nine athletes, all shall be admitted to the respective Elimination Round. **If there are fewer than 9 athletes, all will progress to the second elimination with no requirement to shoot the first elimination.**

4.1.1.4.3. The Finals Rounds in which the four top athletes shoot two matches (the semi-finals and the medal finals) consisting of four marked targets each, three arrows per target (see [Article 8.1.1.11 4.5.3.9](#));

4.1.1.4.3.1. *In the semi-finals, the athlete ranked number one competes against four and two competes against three, **following rankings from the second elimination round**. The winners compete in the Gold Medal match and the others in the Bronze Medal match. ~~The four athletes shall go in one group through the course accompanied by a Judge. In the semi-finals, **if the athletes shoot in a group of four**, the pair consisting of athletes two and three shall shoot first and, the other pair shall shoot as the second pair at all targets. In the medal finals, the athletes competing in the Bronze Medal match shall shoot first at all targets, followed by the Gold Medal match.~~*

4.1.1.4.3.2. *In the Finals Round the athletes **higher ranked athlete from the second elimination numbers one and two** shall shoot from the left shooting position.*

4.1.1.4.4. The Team Elimination Round (quarter-finals) consists of the top eight teams in each class, consisting of three athletes, one athlete from each division.

- ♦ At the first target the higher ranked team decides who shall start shooting. Thereafter, the team with the lower cumulative score will shoot first at the following target and, if the teams are tied, then the team which started the match will shoot first;

4.1.1.4.4.1. *They are seeded according to the positions as determined by the total scores (the three top scores) in the Qualification Round. The composition of the team shall be determined by the Team Manager. They shoot four matches each of eight marked targets. Each athlete shoots one arrow per target from the peg of his division (see match play). The winners of each match proceed to the Team Finals Round.*

4.1.1.4.5. The Team Finals Rounds consist of the four qualifying teams (semi-finals) in each class, consisting of one athlete from each division.

- ♦ At the first target the higher ranked team decides who shall start shooting. Thereafter, the team with the lower cumulative score will shoot first at the following target and, if the teams are tied, then the team which started the match will shoot first;

4.1.1.4.5.1. *~~They shoot two matches of four marked targets each. Each athlete shoots one arrow per target from the peg of his division. The winning teams move to the Gold Medal match and the other teams move to the Bronze Medal match (Medal Finals). Both Medal matches are shot on an additional four marked targets (see individual finals for shooting procedures).~~*

~~4.1.1.5. Unit for Unmarked Course.~~

---

Number of targets

Diameter of Field faces

Distances in metres

---

<b>12 targets in a unit min-max #</b>	<b>in cm</b>	<b>Yellow Peg- Barebow-Cadet Longbow*</b>	<b>Blue Peg- Recurve-Cadet- Compound-Cadet Barebow- Instinctive Bow*</b>	<b>Red Peg- Recurve-and Compound</b>
2-4	Ø 20	5 to 10	5 to 10	10 to 15
2-4	Ø 40	10 to 15	10 to 20	15 to 25
2-4	Ø 60	15 to 25	15 to 30	20 to 35
2-4	Ø 80	20 to 35	30 to 45	35 to 55

\* for recreational Field rounds

4.1.1.5.1. The distances of the targets faces of the same size should vary between long, medium and short distances and it is recommended to use different sizes of buttresses.

#### 4.1.1.6. Unit for Marked Course.

<b>Number of targets 12 targets in a unit min-max #</b>	<b>Diameter of Field faces in cm</b>	<b>Distances in metres</b>		
		<b>Yellow Peg- Cadet Barebow Longbow*</b>	<b>Blue Peg- Recurve-Cadet- Compound-Cadet Barebow- Instinctive Bow*</b>	<b>Red Peg- Recurve-and Compound</b>
3	Ø 20	5, 10, 15	5, 10, 15	10, 15, 20
3	Ø 40	10, 15, 20	15, 20, 25	20, 25, 30
3	Ø 60	20, 25, 30	30, 35, 40	35, 40, 45
3	Ø 80	30, 35, 40	40, 45, 50	50, 55, 60

\* for recreational Field rounds

4.1.1.6.1. The set distances may be adjusted with  $\pm 2m$  if needed, however the new measured distance shall be displayed on the peg.

On marked rounds a double 60cm target face setup is recommended.

If a course consists of 16 targets add another target of the middle distances for each target face size. On courses with 20 targets add two targets of the short and the long distances for each target face size.

#### 4.1.1.7. Unit for Marked Course (short course – other tournaments).

<b>Number of targets 12 targets in a unit min-max #</b>	<b>Diameter of Field faces in cm</b>	<b>Distances in metres</b>		
		<b>Yellow Peg- Cadet Barebow Longbow*</b>	<b>Blue Peg- Recurve-Cadet- Compound-Cadet</b>	<b>Red Peg- Recurve-and Compound</b>

			<b>Barebow- Instinctive Bow<sup>±</sup></b>	
2-4	Ø 20	5 to 10	5 to 10	10 to 15
2-4	Ø 40	10 to 15	10 to 20	15 to 25
2-4	Ø 60	20 to 25	15 to 30	20 to 35
2-4	Ø 80	30 to 35	30 to 45	35 to 55

\* for recreational Field rounds

4.1.1.7.1. *The distances could be any distance between the given intervals.*

*However the correct distance shall be marked on the peg.*

*The tolerances are, for distances between 5-15m = ±25cm and for distances between 15-60m = ±1m.*

*The short round may be shot using up to one walk up or fan target, for each size of face per 12 targets.*

*When using a walk up or fan, only the first peg needs to be marked with the distance.*

*On marked rounds, double 60cm target face setup is recommended.*

4.1.1.8. ~~Unit for Elimination Rounds (marked only).~~

- ♦ 12 targets for the first Elimination Round;
- ♦ 8 targets for the second Elimination Round.

Elimination Round	Number of targets	Diameter of Field faces in cm	Number of faces	Distances in metres	
				Blue Peg- Barebow	Red Peg Recurve and-
1	1	Ø 20	12	15	20
1	1	Ø 40	4	25	30
1	1	Ø 60	2	35	40
1	1	Ø 80	1	40	50
1 & 2	1	Ø 40	4	15	20
1 & 2	1	Ø 60	2	35	40
1 & 2	1	Ø 60	2	30	35
1 & 2	1	Ø 80	1	45	55
1 & 2	1	Ø 20	12	10	15
1 & 2	1	Ø 40	4	20	25
1 & 2	1	Ø 60	2	40	45
1 & 2	1	Ø 80	1	50	60

4.1.1.8.1. *The distances shall be as listed in the table.*

*A ±2m adjustment can be used if needed, but the correct distance shall be marked on the peg.*

*The tolerance is, for distances between 5-15m = ±25cm, and for distances between 15-16-60m = ±1m.*

4.1.1.9. ~~Unit for Finals Rounds (and Team quarter finals).~~

- ♦ 8 targets with marked distances.

During semifinals, the targets can be placed as per organisers' wishes. In the finals, however, the last target must be the longest distance.

All 8 targets are used for the Team Quarter-finals	Number of targets	Diameter of Field faces in cm	Number of faces	Distances in metres	
				Blue Peg-Barebow	Red Peg Recurve- and
These Targets	1	Ø 20	12	15	20
to be	1	Ø 40	4	25	30
used for the	1	Ø 60	2	35	40
Semi-finals	1	Ø 80	2	45	55
These targets	1	Ø 20	12	10	15
to be used	1	Ø 40	4	20	25
for the Finals	1	Ø 60	2	40	45
	1	Ø 80	2	50	60

4.1.1.9.1. *The targets may be put up in any order providing that the first four targets are used for the semi-finals and the last four targets are used for the finals with the 80cm being the last target.*

4.1.1.4.6 *In the Finals Round each class and division shall form a group that shall start in this order:*

- ♦ Barebow Women;
- ♦ Barebow Men;
- ♦ Recurve Women;
- ♦ Recurve Men;
- ♦ Compound Women;
- Compound Men.

4.1.1.4.7 *The organisers decide whether the Finals Round are shot as one continuous round or whether there shall be a break between the semi-finals and the medal finals. The reorganisation of the groups shall take place after the fourth target. In case of a tie in the semi-finals, the tie should be decided on the fourth target before the reorganisation of the groups takes place. The organisers may allow the different categories to shoot on separate courses to speed up the competition.*

4.1.1.5 Archery recreational rounds.

## 4.1.2 The 3D Rounds

### 4.1.2.4 The 3D Championships Rounds

The 3D Championships Round consists of two Qualification Rounds followed by two Elimination Rounds and the Finals Rounds for Individuals and the Elimination Round and the Finals Round for Teams.

4.1.2.4.6 The organisers shall plan three or four courses (depending on the number of participants) of 24 targets each for the Qualification Rounds. After the first Qualification Round the divisions shall change to another course not yet shot by that division.

4.1.2.4.7 The organisers shall prepare three courses of 12 targets each for the first Elimination Round. For the second Elimination Round the divisions shall change to another course not yet shot by that division and will use 8 targets.

4.1.2.4.8 For the Finals Rounds a course with a total of ~~eight~~ **four** targets **for the semi final and another four targets for the medal final** (sets of two ~~animal~~ targets per target number) shall be prepared, ~~with good access for the public~~. Finalists shall get no possibility, however, of checking the distances of the courses from the public area before the start of the competition.

The organisers can plan the schedule for semi-finals and finals, either as one round or two separate rounds, where all the participants (individual and teams) start at the first target.

4.5.7.1.4 The individual competition consists of:

4.5.7.1.4.1. Two Qualification Rounds.

4.5.7.1.4.2. Two individual Elimination Rounds:

- The first Elimination Round in which the top 16 athletes per category qualifying from the two Qualification Rounds shall shoot 12 targets;
- The second Elimination Round in which the top eight athletes per category qualifying from the first Elimination Round shall shoot 8 targets.
- If there are fewer than 17 or nine athletes, all shall be admitted to the respective Elimination Round. **If there are fewer than 9 athletes, all will progress to the second elimination with no requirement to shoot the first elimination.**

4.5.7.1.4.3. The Finals Rounds in which the top four athletes per category qualifying from the second Elimination Round shall shoot two matches (the semi-finals and the medal finals) consisting of four targets each:

- In the first match (semi-finals), the athlete ranked first shall shoot against the athlete ranked fourth (**from the second elimination round**) and the second shall shoot against the third. The winners shall move to the Gold Medal match and the others move to the Bronze Medal match;
- In the semi-finals, the pair consisting of athletes #2 and #3 shall shoot first and the pair consisting of athletes #1 and #4 shall shoot second at all semi-final targets;
- In the ~~second~~ **medal** match (~~medal finals~~) the athletes shooting in the Bronze Medal match shall shoot first at all targets, followed by the Gold Medal match;
- In the Finals Round, the highest ranked athletes ~~numbers one and two~~ shall shoot from the left shooting position;
- The two athletes competing in a match will shoot simultaneously;
- The athletes of the different categories shall start their Finals Rounds in the following order:
  - Longbow women – Longbow men
  - Instinctive bow women – Instinctive bow men
  - Barebow women – Barebow men
  - Compound women – Compound men

Or, all women shall shoot first followed by all men.

4.1.2.4.9 The team competition:

Each team member shall shoot one arrow per target from the shooting peg of his division.

4.1.2.4.9.1 The Team Elimination Round (quarter-finals) consists of the top eight teams in each class qualifying from the two Qualification Rounds shooting eight targets each:

- A team shall be made up by one Compound athlete, one Longbow athlete and one athlete using either an Instinctive bow or a Barebow. The team ranking shall be based on the best athlete's results for each category after the second Qualification Round. (If both the Instinctive and the Barebow division are competing the higher result shall be taken for the ranking). ~~The Team Manager is not required to pick the best athlete in each category for the team competition;~~

- The teams are seeded according to the team ranking as established on the basis of the individual ranking for each category after the second Qualification Round (see [Article 4.5.7.1.4.2.](#));
  - At the first target the higher ranked team decides who shall start shooting. Thereafter, the team with the lower cumulative score will shoot first at the following target and, if the teams are tied, then the team which started the match will shoot first;
  - They shall shoot four matches of eight targets each. Each athlete shoots one arrow per target from the peg of his division (see match play). The winners of each match proceed to the Team Finals Round;
  - Order of shooting:
    - ~~4.1.2.4.9.1.1 With all teams starting at the first target: pairing: #4 and #5 starts; followed by #3 and #6; #2 and #7; #1 and #8. The higher ranked team decides who shall start shooting. Thereafter, the team with the lower cumulative score will shoot first at the following target and, if the teams are tied, then the team which started the match will shoot first. The womens teams start before the mens teams;~~
    - ~~4.1.2.4.9.1.2 With all teams shooting simultaneously the teams shall start shooting on their assigned targets, both the womens and mens teams shall shoot in the same order as mentioned above;~~
  - The winners of each match proceed to the Team Finals Round.
- 4.1.2.4.9.2 The Team Finals Rounds consist of the **top-winning** four teams qualifying from the Team Elimination Round. They shoot two matches of four targets each (semi-finals and Finals).
- First match: semi-finals:
    - ~~The first pair to start the semi-finals at the first target are the second placed team against the third (#2 and #3). When they have finished the first target and the target is available, the next pair composed of the fourth team against the first team (#4 and #1) begins their semi-finals.~~
    - ~~The higher placed team decides who shall start shooting at the first target. Thereafter, the team with the lower cumulative score will shoot first at the following target and, if the teams are tied, then the team which started the match will shoot first. Each athlete in the team shoots one arrow per target from the peg of his division;~~
  - Second match: Finals:
    - ~~The winners move to the Gold Medal match and the others to the Bronze Medal match (Medal Finals).~~
    - ~~Both medal matches are shot on an additional four targets (see individual finals for shooting procedures).~~
- ~~(See (see image 1: Match Play Chart for Field (individuals / teams)) for the match play charts~~

# Chapter 6

## Medals, Trophies and Performance Awards

6.1.1.1. *These badges shall be awarded for the Recurve Division as follows:*

	<b>WORLD ARCHERY ARROWHEAD BADGES- Recurve</b>													
	24 targets		28 targets		32 targets		36 targets		40 targets		44 targets		48 targets	
	men	women	men	women	men	women	men	women	men	women	men	women	men	women
Green	219	196	256	229	292	261	329	294	365	327	402	359	438	392
Brown	244	227	285	265	325	303	366	341	407	378	447	416	488	454
Grey	265	249	309	291	353	332	398	374	442	415	486	457	530	498
Black	291	279	340	326	388	372	437	419	485	465	534	512	582	558
White	313	302	365	352	417	403	470	453	522	503	574	554	626	604
Silver	338	323	394	377	451	431	507	485	563	538	620	592	676	646
Gold	350	339	408	396	467	452	525	509	583	565	642	622	700	678

6.1.1.2. *These badges shall be awarded for the Barebow Division as follows:*

	<b>WORLD ARCHERY ARROWHEAD BADGES – Barebow</b>													
	24 targets		28 targets		32 targets		36 targets		40 targets		44 targets		48 targets	
	men	women	men	women	men	women	men	women	men	women	men	women	men	women
Green	191	182	223	212	255	243	287	273	318	303	350	334	382	364
Brown	230	198	268	231	307	264	345	297	383	330	422	363	460	396
Grey	250	226	292	264	333	301	375	339	417	377	458	414	500	452
Black	273	250	319	292	364	333	410	375	455	417	501	458	546	500
White	294	275	343	321	392	367	441	413	490	458	539	504	588	550
Silver	316	299	369	349	421	399	474	449	527	498	579	548	632	598
Gold	335	312	391	364	447	416	503	468	558	520	614	572	670	624

6.1.1.3. *These badges shall be awarded for the Compound Division as follows:*

	<b>WORLD ARCHERY ARROWHEAD BADGES – Compound</b>													
	24 targets		28 targets		32 targets		36 targets		40 targets		44 targets		48 targets	
	men	women	men	women	men	women	men	women	men	women	men	women	men	women
Green	292	275	341	321	389	367	438	413	487	458	535	504	584	550
Brown	313	301	365	351	417	401	470	452	522	502	574	552	626	602
Grey	331	318	386	371	441	424	497	477	552	530	607	583	662	636
Black	351	338	410	394	468	451	527	507	585	563	644	620	702	676
White	371	357	433	417	495	476	557	536	618	595	680	655	742	714
Silver	389	377	454	440	519	503	584	566	648	628	713	691	778	754
Gold	399	388	466	453	532	517	599	582	665	647	732	711	798	776

6.1.1.4. *The Green and Brown Arrowhead may be obtained by the Cadets on their specific rounds. Juniors can obtain all Arrowheads since they shoot the same distances as the Men and Women.*

## 6.2. Events for Performance Awards

- 6.2.1. The Star Awards can be gained on the scores obtained in a 1440 Round or in either 1440 Round of a Double 1440 Round, when organised in accordance with [6.5. Applications for Awards](#).
- 6.2.2. The performance awards can be gained at tournaments organised by Member Associations and recognised by World Archery (see [4.8. Official Recognition of Tournaments](#)) for which the Member Association shall pay a fee established by the Executive Board within the maximum amount established by Congress.

# Chapter 8

## Field of Play setup - Field Archery

### 8.1. Course Layout

8.1.1. The field course shall be arranged so that the shooting positions and the targets can be reached without undue difficulty, hazard or waste of time. Field courses should be as condensed as possible.

8.1.1.1. *The walking distance from the central (assembly) area to the furthest target should be no more than 1km or 15 minutes normal walking.*

8.1.1.2. *The course makers shall prepare safe paths for Judges, medical personnel and to allow for transportation of equipment round the course(s) while shooting is in progress.*

8.1.1.3. *The course(s) shall not be positioned higher than 1800m above sea level and the maximum difference between the highest and the lowest point in a course shall not be more than 100m.*

8.1.1.4. *The targets as described in [Article 4.1.11](#), [4.5.3. Field Archery Rounds](#) shall be laid out in such order as to allow maximum variety and best use of the terrain. In the Finals Round two butts shall be placed side by side at each target on which a 60cm or 80cm target face is placed.*

8.1.1.5. *At all targets, one shooting peg for each distance shall be placed in such a way as to allow at least two athletes to shoot at the same time from either side of the shooting peg.*

8.1.1.6. *All shooting pegs shall be marked with the distance when marked distances are to be shot. The shooting pegs shall have different colours, corresponding to each group of categories as follows:*

- ♦ *Blue for the Barebow, (Cadet Recurve and Cadet)*
- ♦ *Compound; Red for the Recurve and Compound;*
- ♦ *Yellow for the Cadet Barebow.*

8.1.1.7. *The tolerances are:*

- ♦ *For distances 15m or less  $\pm 25$ cm;*
- ♦ *For distances between ~~16~~-60m  $\pm 1$ m.*

*However, the distances given in [Article 8.1.1.9 4-5.3.5](#), and [Article 8.1.1.10 4-5.3.6](#), may be adjusted by  $\pm 2$ m. The correct distance shall be marked on the shooting peg.*

*The distance should be measured in the air approximately 1.5-2m above the ground. All kinds of measuring equipment can be used as long as it satisfies the tolerances.*

8.1.1.8. *The butts shall provide a margin to allow all scoring arrows to be in the butt. At no point may any target face be less than 15cm from the ground. In all instances, regardless of the terrain, the buttress should be placed reasonably perpendicular to the athlete's line of sight from the shooting peg in order to present the target face's full picture (for example (see image 9: 80 and 60cm Target Face for Field)).*

#### 8.1.1.9 Unit for Unmarked Course.

Number of targets 12 targets in a unit min-max #	Diameter of Field faces in cm	Distances in metres		
		Yellow Peg Barebow Cadet Longbow*	Blue Peg Recurve Cadet Compound Cadet Barebow Instinctive Bow*	Red Peg Recurve and Compound
2-4	Ø 20	5 to 10	5 to 10	10 to 15
2-4	Ø 40	10 to 15	10 to 20	15 to 25
2-4	Ø 60	15 to 25	15 to 30	20 to 35
2-4	Ø 80	20 to 35	30 to 45	35 to 55

\* for recreational Field rounds

**8.1.1.9.1** The distances of the targets faces of the same size should vary between long, medium and short distances and it is recommended to use different sizes of buttresses.

#### 8.1.1.10 Unit for Marked Course.

Number of targets 12 targets in a unit min-max #	Diameter of Field faces in cm	Distances in metres		
		Yellow Peg Cadet Barebow Longbow*	Blue Peg Recurve Cadet Compound Cadet Barebow Instinctive Bow*	Red Peg Recurve and Compound
2-4	Ø 20	5 to 10	5 to 10	10 to 15
2-4	Ø 40	10 to 15	10 to 20	15 to 25
2-4	Ø 60	15 to 25	15 to 30	20 to 35
2-4	Ø 80	20 to 35	30 to 45	35 to 55

3	Ø 20	5, 10, 15	5, 10, 15	10, 15, 20
3	Ø 40	10, 15, 20	15, 20, 25	20, 25, 30
3	Ø 60	20, 25, 30	30, 35, 40	35, 40, 45
3	Ø 80	30, 35, 40	40, 45, 50	50, 55, 60

**\* for recreational Field rounds**

**8.1.1.10.1** The set distances may be adjusted with  $\pm 2m$  if needed, however the new measured distance shall be displayed on the peg.

On marked rounds a double 60cm target face setup is recommended.

If a course consists of 16 targets add another target of the middle distances for each target face size. On courses with 20 targets add two targets of the short and the long distances for each target face size.

Unit for Elimination Rounds (marked only). 12 targets for the first Elimination Round;

**♦ 8 targets for the second Elimination Round.**

Elimination Round	Number of targets	Diameter of Field faces in cm	Number of faces	Distances in metres	
				Blue Peg Barebow	Red Peg Recurve and
1	1	Ø 20	12	15	20
1	1	Ø 40	4	25	30
1	1	Ø 60	2	35	40
1	1	Ø 80	1	40	50
1 & 2	1	Ø 40	4	15	20
1 & 2	1	Ø 60	2	35	40
1 & 2	1	Ø 60	2	30	35
1 & 2	1	Ø 80	1	45	55
1 & 2	1	Ø 20	12	10	15
1 & 2	1	Ø 40	4	20	25
1 & 2	1	Ø 60	2	40	45
1 & 2	1	Ø 80	1	50	60

**8.1.1.10.2** The distances shall be as listed in the table.

A  $\pm 2m$  adjustment can be used if needed, but the correct distance shall be marked on the peg.

The tolerance is, for distances between 5-15m =  $\pm 25cm$ , and for distances between 15-16-60m =  $\pm 1m$ .

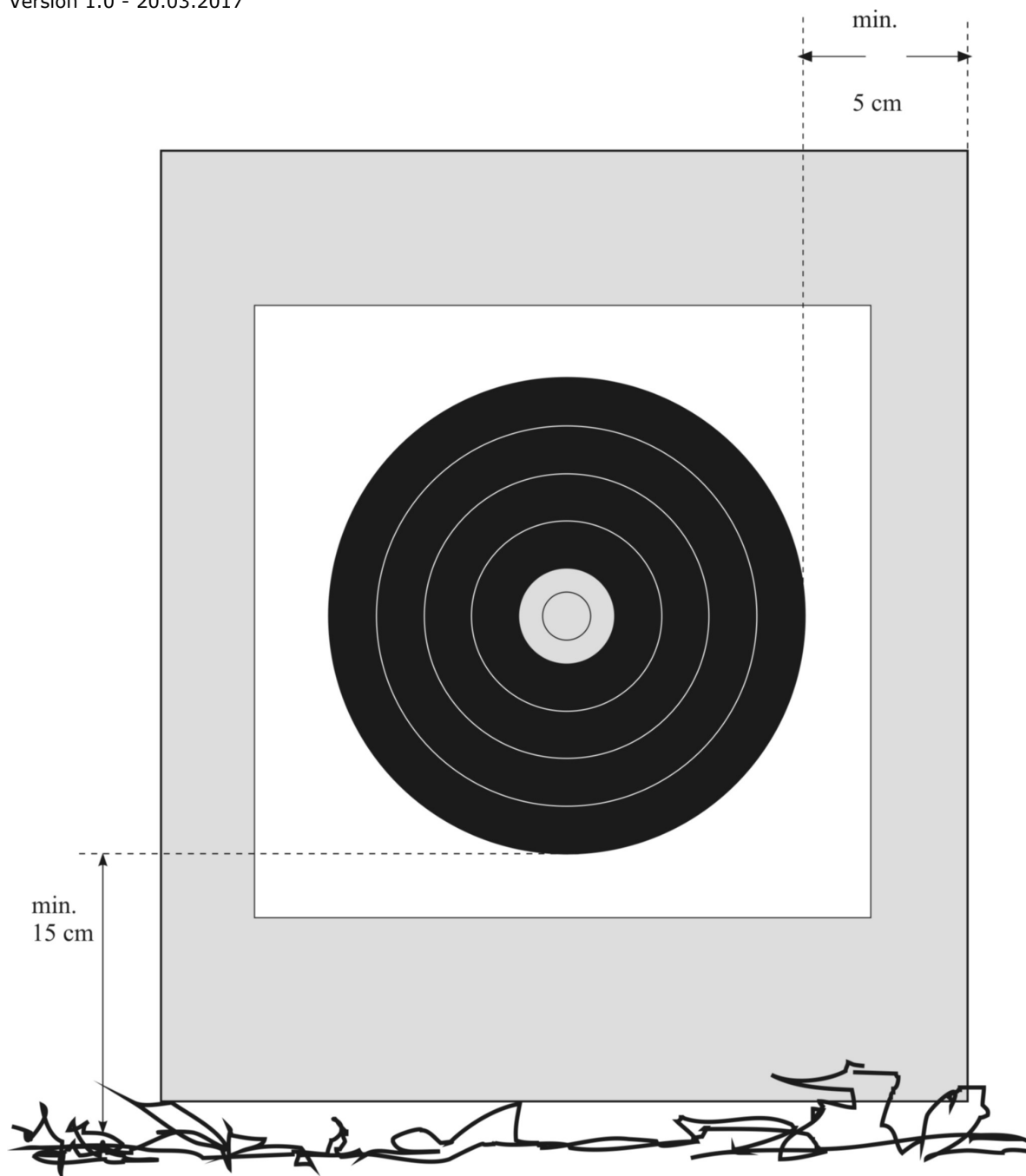
**8.1.1.11** Unit for Finals Rounds (and Team quarter-

♦ finals). 8 targets with marked distances.

During semifinals, the targets can be placed as per organisers' wishes. In the finals, however, the last target must be the longest distance.

All 8 targets are used for the Team Quarter-finals	Number of targets	Diameter of Field faces in cm	Number of faces	Distances in metres	
				Blue Peg Barebow	Red Peg Recurve and
These Targets	1	Ø 20	12	15	20
to be	1	Ø 40	4	25	30
used for the	1	Ø 60	2	35	40
Semi-finals	1	Ø 80	2	45	55
These targets	1	Ø 20	12	10	15
to be used	1	Ø 40	4	20	25
for the Finals	1	Ø 60	2	40	45
	1	Ø 80	2	50	60

**8.1.1.11.1** The targets may be put up in any order providing that the first four targets are used for the semi-finals and the last four targets are used for the finals with the 80cm being the last target.



**Image 9:** 80 and 60cm Target Face for Field

- 8.1.1.9. All targets shall be numbered in succession **from 1 to 24**. The numbers shall be ~~no less than 20cm tall and shall be black on yellow or yellow on black and~~ **be clearly visible to archers and clearly identify the target number. They shall be placed 5-10m before reaching the shooting pegs for that target.**
- 8.1.1.10. The target numbers shall also function as the waiting area for the athletes of the groups waiting for their turn to shoot. The ~~other~~ members of the group shooting **that target** can be forward of the number board to assist with shading **and spotting** as necessary. From the waiting area it should be possible to see if anybody is standing at the peg.
- 8.1.1.11. ~~Faces shall not be placed over any larger face, nor shall there be any marks on the butts or in the foreground that could be used as points of aim.~~
- 8.1.1.12. Clearly visible direction signs indicating the route from target to target shall be placed at adequate intervals to ensure safe and easy movement along the course.
- 8.1.1.13. Suitable barriers shall be placed around the course, wherever necessary, to keep spectators at a safe distance while still giving them the best possible view of the competition. Only those persons having the proper accreditation shall be allowed on the course inside of the barriers.
- 8.1.1.14. The assembly area should contain:
- A communication system allowing contact with the chairperson of the Tournament Judge Commission and the organisers;
  - Adequate shelter for team officials;
  - Separate shelter for the Jury of Appeal and the chairperson of the Judge Commission;
  - Guarded shelter for the athletes gear and spare equipment;
  - Practice targets on the competition days near the assembly point(s) for the athletes;

- ♦ Refreshment facilities;
- ♦ Toilets.

8.1.1.15. *The course(s) shall be completed and ready for inspection no later than 16 hours before the shooting starts. At World Championships they shall be ready along with details of any modifications to those courses for use as Elimination or Final Rounds, no later than the morning of two days before the shooting starts.*

## 8.2. Venue Equipment and Scoring Zones

### 8.2.1. The Field Face.

There are four field target faces :

- ♦ The 80cm face;
- ♦ The 60cm face;
- ♦ The 40cm face;
- ♦ The 20cm face.

Only those faces produced by a manufacturer licensed by World Archery shall be used at World Archery competitions.

#### 8.2.1.1. Description.

*The face consists of a yellow centre spot and four equal scoring zones.*

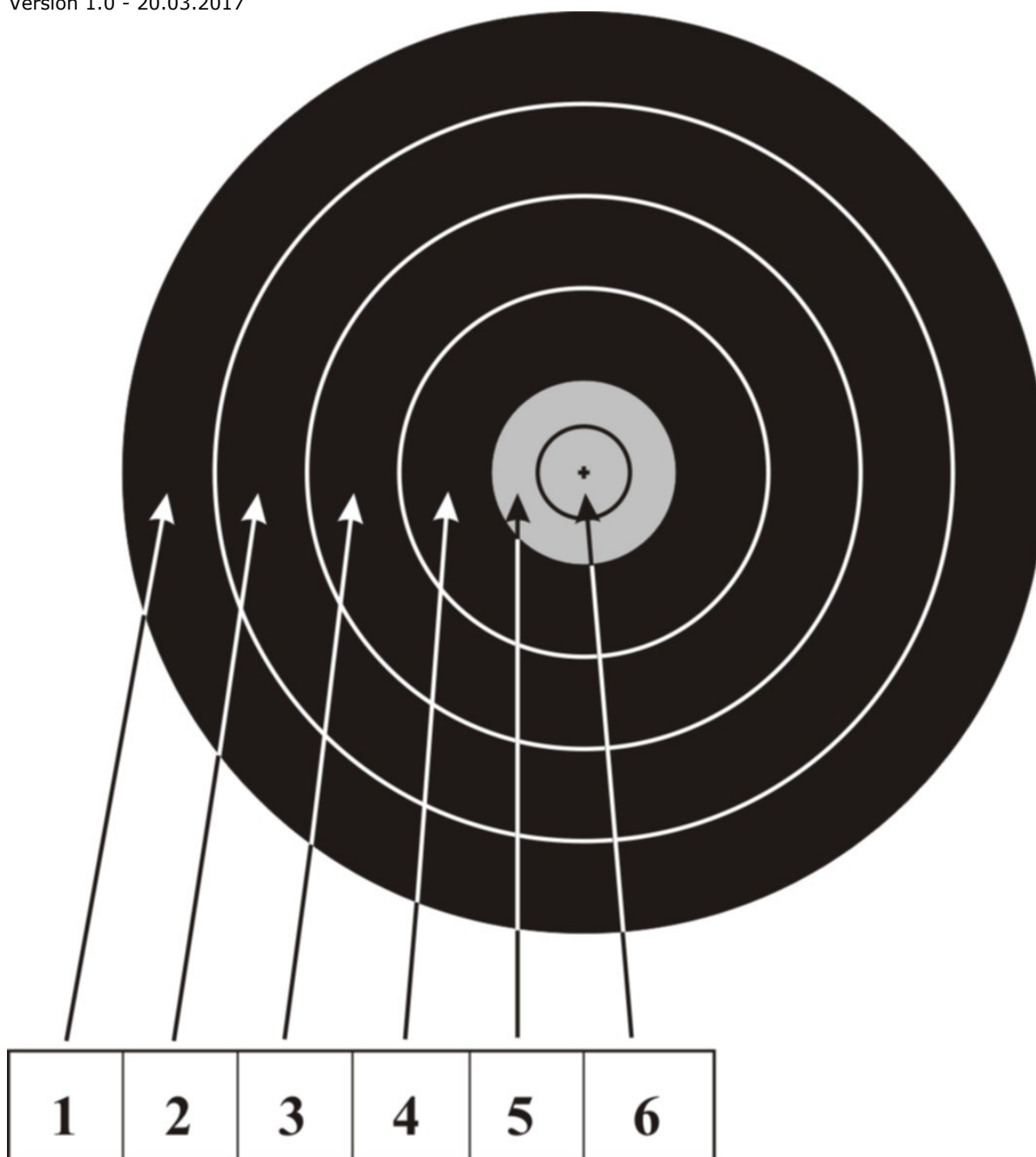
*~~The background of the face shall be white.~~ The yellow zone is divided into two scoring zones.*

*The inner ring is scored as 6 and the outer yellow zone as 5.*

*The two zones shall be divided by a black line of maximum 1mm in width. The rest of the face shall be black. The four scoring zones shall be divided by white lines of maximum 1mm in width.*

*Any dividing lines shall be in the higher scoring zones. The centre of the target face shall be indicated by a small "+" (cross). The lines of the cross shall not exceed 1mm in width and 4mm in length.*

*Drawing of the Field face see (see image 10: 1-6 Scoring Zones Target Face for Field).*



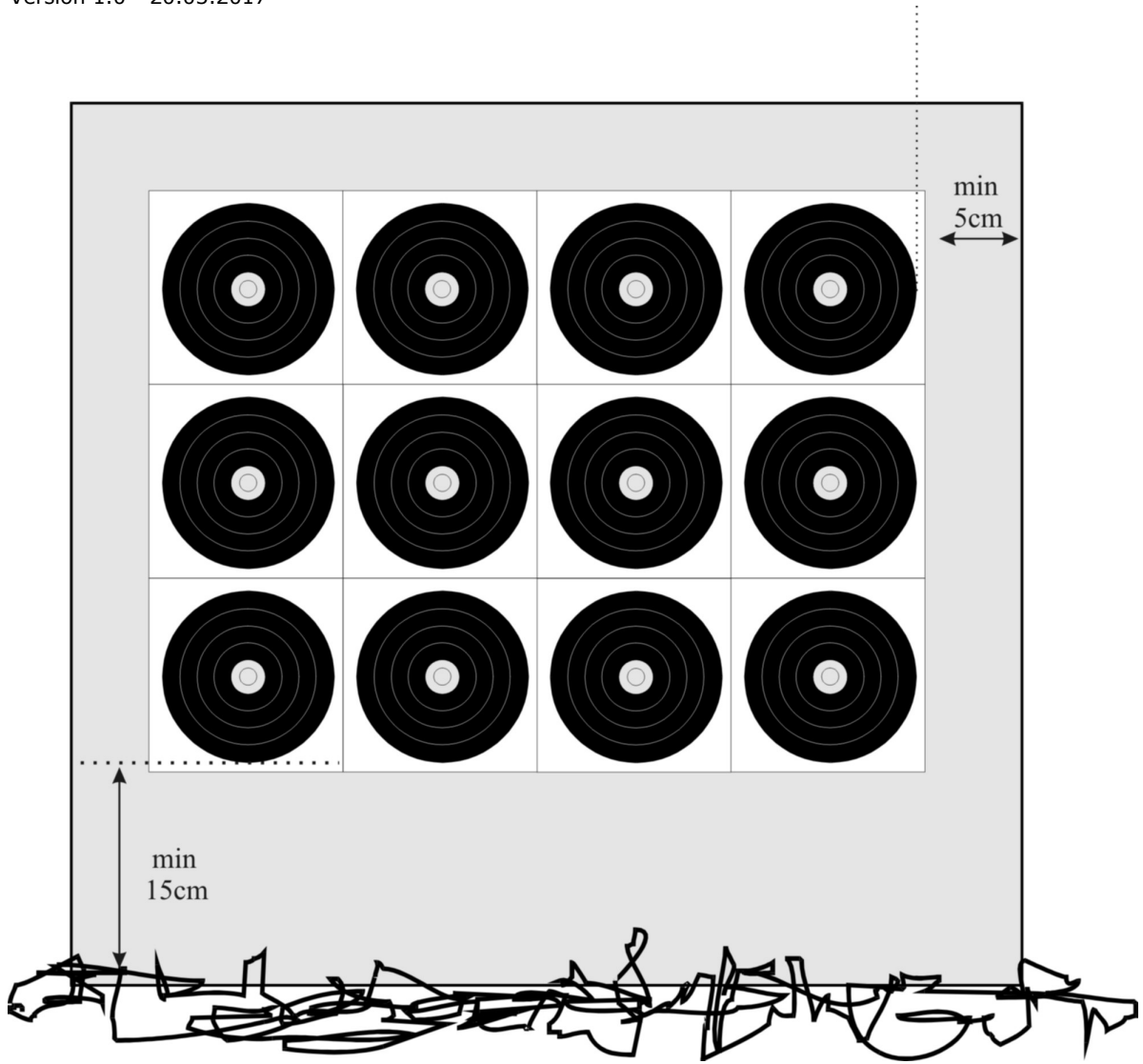
**Image 10:** 1-6 Scoring Zones Target Face for Field

8.2.1.2. Scoring Values, Colour Specifications and Tolerances.

Colour	Score	Diameter of faces and of scoring zones in cm				Tolerance ± (mm)
		20	40	60	80	
Yellow	6	2	4	6	8	1
Yellow	5	4	8	12	16	1
Black	4	8	16	24	32	1
Black	3	12	24	36	48	2
Black	2	16	32	48	64	2
Black	1	20	40	60	80	2

8.2.1.3. Target set-up.

- ♦ The 20cm and 40cm faces may be placed at any angle provided is still obvious which face or column the athlete is to shoot.
- ♦ 20cm faces shall be 12 per butt in four columns of three (see (see image 11: 4 x 3 Triple Target Face for Field));
- ♦ 40cm faces shall be placed four per butt ~~in the form of a square~~
- ♦ 60cm faces: On marked rounds a double 60cm target face setup is recommended and their centres shall form a horizontal line should be positioned so that both archers have an equal shot.



*Image 11: 4 x 3 Triple Target Face for Field REMOVE THE IMAGE*

# Chapter 9

## Field of Play setup - 3D Archery

### 9.1. Course layout

9.1.1. The courses shall be arranged in such a way that the shooting positions and the targets can be reached without undue difficulty, hazard or waste of time. 3D courses shall be as condensed as possible.

9.1.1.1. The walking distance from the central (assembly) area to the furthest target shall be no more than 1 kilometer or 15 minutes normal walking.

9.1.1.2. The course makers shall prepare safe paths for Judges, medical personnel and to allow for transportation of equipment through the course(s) while shooting is in progress.

9.1.1.3. The course(s) shall not be positioned higher than 1800m above sea level and the maximum difference between the highest and the lowest point in a course shall not be more than 100m.

9.1.1.4. The targets as described in [Article 9.2.1.](#) shall be laid out in such order as to take into consideration that there are unknown distances only, to allow maximum variety and best use of the terrain, with a fair balance between distance and size of the scoring zone.

9.1.1.5. For small targets (group size "4"), the organisers shall place two ~~animal~~-targets next to each other. The left placed athlete to shoot on that target shoots on the left target, the right placed athlete on the right target.

- For all other animal groups 1,2,3, the organiser may wish to add an extra animal target.

9.1.1.6. The ~~animal~~-targets shall be placed in a way as to present the full target to all athletes.

9.1.1.7. Shooting distances - unknown distances only:

9.1.1.7.1. Red pegs :

- Men and Women Compound  
Bow; Maximum distance: 45m.

9.1.1.7.2. Blue pegs:

- Men and Women  
• Barebow; Men and  
Women Longbow;  
• Men and Women Instinctive  
Bow; Maximum distance: 30m.

9.1.1.7.3. ~~The 3D targets can be divided into 4 groups based on the size of the 11/10-ring.~~

	Group 1	Group 2	Group 3	Group 4
11/10-size	2130mm	110-129 mm	70-109 mm	20-69
mm Red	Targets from all Groups to be placed between 10-45 meters.			
Blue	Targets from all Groups to be placed between 5-30 meters.			
4-8 targets from each of the above mentioned sized 11/10 3D targets are to be used in each course.				

**The 3D targets come in a range of sizes. The course must incorporate a range of target sizes placed at distances appropriate to their size.**

[link to 9.1.1.4](#)

9.1.1.8. All targets shall be numbered in succession **from 1 to 24.** The numbers shall be no less than 20cm tall and shall be black on yellow or yellow on black and **be clearly visible to archers and clearly identify the target number.** **They** shall be placed 5-10m before reaching the shooting pegs for that target

9.1.1.8.1. The target numbers shall also function as the waiting area for the athletes of the groups waiting for their turn to shoot. The ~~other~~ members of the group shooting **that target** can be forward of the number board to assist with shading **and spotting** as necessary. From the waiting area it should be possible to see if anybody is standing at the peg.

9.1.1.9. When the shooting peg is free, the group can go forward to the post with the picture of the ~~animal~~-target – as the secondary waiting area until the target is free.

9.1.1.10. Clearly visible direction signs indicating the route from target to target shall be placed at adequate intervals to ensure safe and easy movement along the course.

9.1.1.11. Suitable barriers shall be placed around the course, wherever necessary, to keep spectators at a safe distance while still giving them the best possible view of the competition. Only those persons having the proper accreditation shall be allowed on the course inside of the barriers.

9.1.1.12. The assembly area shall contain:

- A communication device (system) allowing contact between the Chairman of the Tournament Judge Commission, the Judge Commission, the Technical Delegate and the organisers;
- Adequate shelter for team officials;
- Separate shelter for the Jury of Appeal, the Chairman of the Tournament Judge Commission and the Technical Delegate;
- Guarded shelter for the athletes gear and spare equipment;
- On the days of the tournament, some warm-up targets shall be set up near the Assembly Point(s) for the
-

- athletes; The practice field can be used as a warm-up field;
- Refreshment facilities; Toilets.

9.1.1.13. The 3D course(s) shall be completed and ready for inspection no later than 16 hours before the shooting starts. At Championships they shall be ready no later than the morning of two days before the shooting starts, except for modified courses.

## 9.2. Venue Equipment and Scoring Zones

9.2.1. ~~The 3D-Animal~~ Targets.

The courses are unmarked only. 3D ~~Animal~~ Targets are used. The targets are three dimensional using a wide variety of ~~animal~~ forms of varying sizes. The number of targets used, their respective size and the size of the scoring zones are not standardised. The dividing lines of the scoring zones are within the higher scoring area.

The ~~body~~ colour of the targets varies according to the target animal chosen.

9.2.2. Scoring zones.

~~An animal~~ The target is divided into four scoring zones (11, 10, 8 and 5).

An arrow touching the dividing line between two scoring zones or the border line of the scoring area shall score the higher value.

- 11 points the small circle in the centre of the 10-ring (about 25% of the 10-ring zone); 10 points the larger circle within the vital area;
- Eight points vital area outside the 10 point circle; Five points remaining body colour zone;
- A hit in the horn or the hoof, or other defined non scoring area, not touching the body colour zone, a glance-off or any other miss counts as a miss (M). A hit in the tail or wings of a bird target is a scoring arrow. An arrow passing through the horn or hoof or other defined non scoring area but touching a scoring zone, will score the value where it touches the scoring zone. An arrow passing through the horn or hoof or other defined non scoring area but not touching a scoring zone will score a miss (M).

9.2.3. ~~Animal~~ Target pictures.

About 5-10m from the shooting peg, a post is placed showing the ~~animal~~ target picture of that target including the lines and the position of the respective scoring zones.



## CONGRESS MOTION 14 FOR LAW FORM

According to WA Constitution & Rules, Book 1, Art.1.6.12, 1.6.14, Appendix 1, Art.6.4

To be submitted to the WA Office, attention Thomas Aubert, taubert@archery.org

1. Submitted by:	Technical Committee
2. In Quality of: <i>Please tick one</i>	World Archery President <input type="checkbox"/> Executive Board <input type="checkbox"/> Permanent Committee <input checked="" type="checkbox"/> Member Association <input type="checkbox"/> Continental Association <input type="checkbox"/>
3. Date Submitted to WA Office :	March 8, 2017
3. Book, Chapter, Article	Book 3, Chapter 11
4. Text of the motion (*)	Book 3, Chapter 11, to read as attached hereto. While Congress will only be voting on those revisions that are laws, both proposed laws and bylaws are being presented in order for Congress to view all proposed revisions. Assuming adoption of the laws by Congress, the Executive Board will consider the bylaws.
5. Reason	

(\*) Please state the wording to be used **precisely** with the new requested version/addition/amendment **in full words**.

## Chapter 11

### Athletes Equipment

This article lays down the type of equipment athletes are permitted to use when shooting in World Archery competitions. It is the athlete's responsibility to use equipment which complies with the rules.

Any athlete found to be using equipment contravening World Archery Rules may have his scores disqualified.

Described below are the specific regulations that apply to each division followed by the regulations that apply to all divisions.

The regulations set forth in [21. Chapter 21-Para-Archery](#), shall apply only to that discipline and shall take precedence in any case of conflict.

11.1. For the Recurve Division, the following items are permitted:

11.1.1. A bow of any type provided it complies with the common meaning of the word "bow" as used in target archery, that is, an instrument consisting of a [handle/riser and grip](#), (no shoot-through type) and two flexible limbs each ending in a tip with a string nock. The bow is braced for use by a single string attached directly between the two string nocks, and in operation is held in one hand by its handle (grip) while the fingers of the other hand draw and release the string.

*11.1.1.1. Multi-coloured bow risers and trademarks located on the inside of the upper and lower limb or on the riser are permitted.*

*11.1.1.2. Risers including a brace are permitted provided the brace does not consistently touch the athlete's hand or wrist.*

11.1.2. A bowstring of any number of strands.

*11.1.2.1. Which may be of [multi-coloured strands and serving](#) and of the material chosen for the purpose. It may have a centre serving to accommodate the drawing fingers, a nocking point to which may be added serving(s) to fit the arrow nock as necessary, and, to locate this point, one or two nock locators may be positioned. At each end of the bowstring there is a loop which is placed in the string nocks of the bow when braced. In addition one attachment is permitted on the string to serve as a lip or nose mark. The serving on the string shall not end within the athlete's vision at full draw. The bowstring shall not in any way assist aiming through the use of a peephole, marking, or any other means.*

11.1.3. An arrow rest, which can be adjustable [and have more than one vertical support is permitted.](#)

11.1.3.1. Any moveable pressure button, pressure point or arrow plate may be used on the bow provided they are not electric or electronic and do not offer any additional aid in aiming. *The pressure point may be placed no further back than 4cm (inside) from the pivot point of the grip.*

11.1.4. One draw check indicator, audible, tactile or visual may be used provided it is not electric or electronic.

11.1.5. A bow sight is permitted, but at no time may more than one such device be used.

11.1.5.1. *It shall not incorporate a prism, magnifying lens/lenses, or any magnifying device, levelling, electric or electronic devices, nor shall it provide for more than one sighting point.*

11.1.5.2. *The overall length of the sighting circle or point (hood, tunnel or tube, sighting pin or other corresponding extended component) shall not exceed 2cm in the line of vision of the athlete. Long fiber optic pins must bend after 2cm with the opposite end of the fiber optic pin outside the athlete's line of vision.*

11.1.5.3. *A sight attached to the bow may have windage and elevation adjustment and is subject to the following provisions:*

- *A bow sight extension is permitted;*
- *A scale and or tape with distance marking may be mounted on the sight as a guide for distance markings, but shall not in any way offer any additional aid;*

11.1.6. Stabilisers and vibration dampeners on the bow are permitted.

11.1.6.1. *They may not:*

- *Serve as a string guide;*
- *Touch anything but the bow;*
- *Represent any danger or obstruction to other athletes.*

11.1.7. Arrows of any type may be used provided they comply with the common meaning of the word "arrow" as used in target archery, and do not cause undue damage to target faces or butts.

11.1.7.1. *An arrow consists of a shaft with a tip (point), nock, fletching and, if desired, cresting. The maximum diameter of arrow shafts shall not exceed 9.3mm (arrow wraps shall not be considered as part of*

this limitation *but may* not extend further than 22cm toward the *arrow point* when measured from the *nock groove* where the bowstring sits to the end of the wrap). *The tips/points of these arrows may not exceed 9.4mm in diameter.* All arrows of every athlete shall be marked with the athlete's name or initials on the shaft. All arrows used in any end shall be identical *in appearance* and shall carry the same pattern and colour(s) of fletching, nocks and cresting, if any. Tracer nocks (electrically/electronically lighted nocks) are not allowed.

11.1.8. Finger protection in the form of finger tape, shooting glove (wrist strap allowed), finger tab or a combination of finger protection to draw and release the bowstring is permitted, provided they do not incorporate any device that assists the athlete to draw and release the bowstring.

*11.1.8.1. Finger protection may incorporate an anchor plate for anchoring, thumb or finger rests for non-drawing fingers, finger straps around fingers to secure finger protection to the hand, finger separator between fingers to prevent pinching the arrow, tab plate/s for securing tab materials/layers together and plate extensions for consistent hand placement may be used. Finger protection may be made of any number of layers and material. No part of the finger protection may extend around the hand between thumb and fingers or beyond the wrist joint or restrict wrist movement. On the bow hand an ordinary glove, mitten or similar item may be worn but shall not be attached to the grip of the bow.*

11.1.9. Field glasses, telescopes and other visual aids may be used for spotting arrows:

*11.1.9.1. Provided they are not used for ranging or represent any obstruction to other athletes.*

*11.1.9.2. Scopes shall be adjusted so the highest portion of the scope is no higher than the armpit of the athletes.*

*11.1.9.3. Prescription glasses, shooting spectacles and sunglasses may be used. None of these may be fitted with micro-hole lenses, or similar devices, nor may they be marked in any way that can assist in aiming.*

*11.1.9.4. Should the athlete need to cover the non-sighting eye and or glasses lens, film or tape may be used to obscure vision, or an eye patch may be used.*

11.1.10. Accessories are permitted:

*11.1.10.1. Including arm guard, chest protector, bow sling, finger sling, belt, hip or ground quiver. Devices to raise a foot/feet or part thereof, attached or independent of the shoe, are permitted provided they do not present an obstruction to other athletes at the shooting line/peg or protrude more than 2cm past the footprint of the shoe. Wind indicators (non- electric or non-electronic) may be attached to the equipment (e.g. light ribbons).*

11.2. For the Compound Division, the following equipment is described. All types of additional devices are permitted, unless they are electric, electronic, compromise safety or create unfair disturbance to other athletes.

11.2.1. A Compound Bow, which may be of a shoot-through type riser, is one where the draw is mechanically varied by a system of pulleys or cams. The bow is braced for use by cables or bowstring(s) attached directly to the cams, the string nocks of the bow limbs, cables or by other means as may be applicable to the design. No equipment may be electric or electronic.

*11.2.1.1. The peak draw weight shall not exceed 60 lbs.*

*11.2.1.2. Cable guards are permitted.*

*11.2.1.3. A riser brace or split cables are permitted, provided they do not consistently touch the athlete's hand, wrist or bow arm.*

*11.2.1.4. A bowstring of any type which may include multiple serving/s to accommodate nocking points and include other attachments such as a lip or nose mark, a peep-hole, a peep-hole 'hold-in-line' device, D loop bowstring, string silencers, bowstring weights, etc. are permitted.*

*11.2.1.5. The pressure point of the arrow rest which can be adjustable shall be placed no further back than 6cm (inside) from the throat of the handle (pivot point of the bow grip).*

*11.2.1.6. Any number of Stabilizers are allowed, but may not touch anything but the bow.*

11.2.2. Draw check indicators, audible, tactile and/or visual may be used provided they are not electric or electronic.

11.2.3. A bow sight attached to the bow.

*11.2.3.1. Which may allow for windage **and elevation adjustments** and may also incorporate a levelling device, and/or magnifying lenses and/or prisms.*

*11.2.3.2. The sight points may be a fiber optic **and if desired illuminated by** a chemical glowstick. The glowstick shall be encased so as not to disturb other athletes.*

*11.2.4. A release aid may be used provided it is not attached in any way to the bow. Any type of finger protection may be used.*

*11.2.5. The following restrictions shall apply:*

- [Article 11.1.7.](#) and [Article 11.1.7.1.](#) ;
- [Article 11.1.8.1.](#) ;
- [Article 11.1.9.](#) as limited by [Article 11.1.9.2.](#) , and [Article 11.1.9.3.](#) ;
- [Article 11.1.10.1.](#) ;
- "Peep Elimination" sights can be used in Compound Divisions and assuming such a sight does not incorporate any electric or electronic device.

11.3. For athletes of both divisions the following equipment is not permitted:

11.3.1. Any electronic or electrical device that can be attached to the athlete's equipment.

*11.3.2. Any electronic communication device, headsets or noise reduction devices in front of the waiting line provided that the use of software that simply allows the athlete to plot arrow impacts on the target as one would on printed paper used for the same purpose is permitted. No software that aids in bow sight adjustments may be used anywhere on the archery field (which includes any space either in front of or behind the shooting line up to the spectator area).*

*11.3.3. Athlete equipment shall not include camouflage colours of any kind.*

11.4. For Olympic Games no electronic communication device is allowed on the competition field unless required by the Organizing Committee.



## CONGRESS MOTION 15 FOR LAW FORM

According to WA Constitution & Rules, Book 1, Art.1.6.12, 1.6.14, Appendix 1, Art.6.4

To be submitted to the World Archery Office, attention Thomas Aubert, taubert@archery.org

1. Submitted by:	Field and 3D Committee, Technical Committee
2. In Quality of: <i>Please tick one</i>	World Archery President <input type="checkbox"/> Executive Board <input type="checkbox"/> Permanent Committee <input checked="" type="checkbox"/> Member Association <input type="checkbox"/> Continental Association <input type="checkbox"/>
3. Date Submitted to WA Office :	10.03.2017
3. Book, Chapter, Article	Book 4
4. Text of the motion (*)	<p>The World Archery F&amp;3D committee request that the “new” Book 4 be adopted in relation to the chapters affecting F&amp;3D archery.</p> <p>Enclosed with this request is a version of the book that contains all the amendments that we request, with additions in coloured text, removals being crossed through and notes in another colour.</p> <p>The motion presented also includes the modification from Technical Committee in chapter 22.</p>
5. Reason	<p>Book 4 had a number of repetitions and editorial changes that were required discussed at the multi committee meeting in December. As a result the F&amp;3D committee have looked at the book and reworded a number of bylaws and edited the wording of some in order to reflect the current practices in F&amp;3D archery</p>

(\*) Please state the wording to be used **precisely** with the new requested version/addition/amendment **in full words**.

# Chapter 22

## Athletes Equipment

This article lays down the type of equipment athletes are permitted to use when shooting in World Archery competitions. It is the athlete's responsibility to use equipment which complies with the rules.

Any athlete found to be using equipment contravening World Archery Rules may have his scores disqualified.

Described below are the specific regulations that apply to each division followed by the regulations that apply to all divisions.

The dress regulations found in Book 3, Article 20.1 shall apply.

22.1. For the Recurve Division, the following items are permitted:

22.1.1. A bow of any type provided it complies with the common meaning of the word "bow" as used in target archery, that is, an instrument consisting of a handle/**riser and grip** (~~grip~~), riser (no shoot-through type **riser**) and two flexible limbs each ending in a tip with a string nock. The bow is braced for use by a single string attached directly between the two string nocks, and in operation is held in one hand by its handle (grip) while the fingers of the other hand draw and release the string.

22.1.1.1. *Multi-coloured bow risers and trademarks located on the inside of the upper and lower limb or on the riser are permitted.*

22.1.1.2. *Risers including a brace are permitted provided the brace does not consistently touch the athlete's hand or wrist.*

22.1.2. A bowstring of any number of strands.

22.1.2.1. *Which may be of ~~different colours~~ **multi-coloured strands and serving** and of the material chosen for the purpose. It may have a centre serving to accommodate the drawing fingers, ~~a one or two~~ **nocking points** to which may be added serving(s) to fit the arrow nock as necessary, and to locate ~~this~~ **the nocking points**. ~~one or two nock locators may be positioned~~. At each end of the bowstring there is a loop which is placed in the string nocks of the bow when braced. In addition one attachment is permitted on the string to serve as a lip or nose mark. The serving on the string shall not end within the athlete's vision at full draw. The bowstring shall not in any way assist aiming through the use of a peephole, marking, or any other means.*

22.1.3. An arrow rest, which can be adjustable **and have more than one vertical support is permitted**.

22.1.3.1. *Any moveable pressure button, pressure point or arrow plate may be used on the bow provided they are not electric or electronic and do not offer any additional aid in aiming. ~~The pressure point may not be placed any further back than 4cm (inside) from the throat of the handle (pivot point) of the bow.~~ **The pressure point may be placed no further back than 4cm (inside) from the pivot point of the grip.***

22.1.4. One draw check indicator, audible, tactile or visual may be used provided it is not electric or electronic.

22.1.5. A bow sight for aiming is permitted, ~~but at no time may more than one such device be used.~~

22.1.5.1. *It shall not incorporate a prism, lens/**lenses**, or any other magnifying device, levelling, electric or electronic devices nor shall it provide for more than one sighting point. **Long fiber optic pins must bend after 2cm with the opposite end of the fiber optic pin outside the athlete's line of vision.***

22.1.5.2. *The overall length of the sighting circle or point (**hood, tunnel or tube**, sighting pin or other corresponding extended component) will not exceed 2cm in the line of vision of the athlete.*

22.1.5.3. *A sight may be attached to the bow for the purpose of aiming and which may allow for **may have** windage and adjustment as well as an elevation **adjustment** setting. ~~It and~~ is subject to the following provisions:*

- *A bow sight extension is permitted;*
- *A **manufacturer scale and plate** or tape with **one set of the athletes normal sight marks** distance marking may be mounted on the sight as a guide for **distance** markings, but shall not in any way offer any additional aid;*
- *The sight point may be a fibre optic sight pin. The total length of the fibre optic pin may exceed 2cm, provided that one end is attached outside the athlete's line of vision at full draw, while the part within the athlete's line of vision does not exceed 2cm in a straight line before bending. It can only provide one illuminated aiming spot at full draw. The fibre optic pin is measured independently of the tunnel.*

22.1.5.4. *On unmarked rounds no part of the sight may be modified for the purpose of providing a means for range finding.*

22.1.5.5. ***Athletes may carry their normal sight marks on the course, meaning, a single point of reference for each specific distance. Multiple marks for use as a possible ranging guide are not allowed.***

22.1.6. Stabilisers and **vibration dampeners** ~~torque flight compensators~~ on the bow are permitted.

22.1.6.1. *They may not:*

- *Serve as a string guide;*
- *Touch anything but the bow;*
- *Represent any danger or obstruction to other athletes.*

22.1.7. Arrows of any type may be used provided they comply with the common meaning of the word "arrow" as used in target archery, and do not cause undue damage to target faces or butts.

22.1.7.1. *An arrow consists of a shaft with a tip (point), nocks, fletching and, if desired, cresting. The maximum diameter of arrow shafts shall not exceed 9.3mm (arrow wraps shall not be considered as part of this limitation ~~as long they do~~ **but may** not extend further than 22cm toward ~~the point of the arrow~~ **point** when measured from the **nock groove where the bowstring sits***

~~to the end of the wrap~~ throat – nock hole where the string sits – of the nock to the end of the wrap). **The tips/points of for these arrows may have a maximum diameter of not exceed 9.4mm in diameter.** All arrows of every athlete shall be marked with the athlete's name or initials on the shaft. All arrows used in any end shall be identical **in appearance** and shall carry the same pattern and colour(s) of fletching, nocks and cresting, if any. Tracer nocks (electrically/electronically lighted nocks) are not allowed.

22.1.8. Finger protection in the form of finger tape, shooting glove (wrist strap allowed), finger tab or a combination of finger protection to draw and release the bowstring is permitted, provided they do not incorporate any device that assists the athlete to draw and release the bowstring.

22.1.8.1. Finger protection may incorporate an anchor plate for anchoring, thumb or finger rests for non-drawing fingers, finger straps around fingers to secure finger protection to the hand, finger separator between fingers to prevent pinching the arrow, tab plate/s for securing tab materials/layers together and plate extensions for consistent hand placement may be used. Finger protection may be made of any number of layers and material. No part of the finger protection may extend around the hand between thumb and fingers or beyond the wrist joint or restrict wrist movement. On the bow hand an ordinary glove, mitten or similar item may be worn but shall not be attached to the grip of the bow.

22.1.9. Field glasses, telescopes and other visual aids may be used for spotting arrows:

22.1.9.1. Provided they **are not used for ranging or do not** represent any obstruction to other athletes.

22.1.9.2. Prescription ~~spectacles~~**glasses**, shooting spectacles and sunglasses may be used. None of these may be fitted with micro hole lenses, or similar devices, nor may they be marked in any way ~~that can~~ **to** assist in aiming.

22.1.9.3. Should the athlete need to cover **the non-sighting eye and or glasses lens, plastic, film or tape may be used to obscure vision the spectacle glass of the non-sighting eye, then it shall be fully covered or taped, or an eye patch may be used.**

22.1.10. Accessories are permitted:

22.1.10.1. Including arm guard, chest protector, bow sling, **finger sling**, belt, **hip** or ground quiver. Devices to raise a foot/**feet** or part thereof, attached or independent of the shoe, are permitted provided ~~they that the devices~~ do not present an obstruction to other athletes at the shooting **line/peg** or protrude more than 2cm past the footprint of the shoe. Also permitted are limb savers. Wind indicators (non- electric or non-electronic) may be attached to the equipment used at the shooting peg (e.g. light ribbons).

22.2.

For the Compound Division, the following equipment is permitted. All types of additional devices are permitted unless they are electric, electronic, compromise safety or create an unfair disturbance to other athletes.

22.2.1. A Compound Bow, which may be of a shoot-through type riser, is one where the draw is mechanically varied by a system of pulleys or cams. The bow is braced for use by **cables or** bowstring(s) attached directly to the cams, the string nocks of the bow limbs, cables or by other means as may be applicable to the design. **No equipment may be electric or electronic**

22.2.1.1. The peak draw weight shall not exceed 60lbs.

22.2.1.2. Cable guards are permitted.

22.2.1.3. A **riser** brace or split cables are permitted, provided they do not consistently touch the athlete's hand, wrist or bow arm.

22.2.1.4. A bowstring of any type which may include multiple serving/s to accommodate nocking points and include other attachments such as a lip or nose mark, a peep-hole, a peep-hole 'hold-in-line' device, **D** loop bowstring, **string silencers, bowstring weights, etc. are permitted.**

• Also permitted are string silencers provided they are located no closer than 30cm from the nocking point.

22.2.1.5.

The pressure point of the arrow rest which can be adjustable shall be placed no further back than 6cm (inside) from the throat of the handle (pivot point of the bow **grip**).

22.2.2. Draw check indicators, **tactile**, audible and/or visual may be used, **provided they are not electric or electronic.**

22.2.3. A bow sight attached to the bow.

22.2.3.1. Which may allow for windage **and elevation** adjustment as well as an elevation setting, and which may also incorporate a levelling device, and/or magnifying lenses and/or prisms. **Additionally, a manufacturers scale and or tape with one set of the athletes normal sight marks may be mounted on the sight as a guide for distance markings.**

22.2.3.2. The sight points may be a fibre optic **and if desired illuminated by** sight pin and/or a chemical glowstick. The glowstick shall be encased so as not to disturb other athletes.

22.2.3.3. Multiple sight pins and peep eliminator devices are allowed on marked courses only.

22.2.3.4. On unmarked rounds no part of the sight may be modified for the purpose of providing means for range finding.

22.2.3.5. **Athletes may carry their normal sight marks on the course, meaning, a single point of reference for each specific distance. Multiple marks for use as a possible ranging guide are not allowed.**

22.2.4. A release aid may be used provided it is not attached in any way to the bow. Any type of finger protection may be used.

22.2.5. The following restrictions shall apply:

♦ [Article 22.1.7.](#) and [Article 22.1.7.1.](#) ;

♦ [Article 22.1.8.1.](#) ;

♦ [Article 22.1.9.](#) as limited by [Article 22.1.9.2.](#) ;

♦ [Article 22.1.10.1.](#) ;

♦ "Peep Elimination" sights can be used in Compound Divisions except for courses where unmarked distances are shot, and assuming such a sight does not incorporate any electric or electronic device.

22.3. For the Barebow Division the following items are permitted:

- 22.3.1. A bow of any type provided it complies with the common meaning of the word bow as used in target archery, that is, an instrument consisting of a handle/**riser and grip** (~~grip~~), riser (no shoot-through type) and two flexible limbs each ending in a tip with a string nock. The bow is braced for use by a single string attached directly between the two string nocks, and in operation is held in one hand by its ~~handle~~ (~~grip~~) while the fingers of the other hand draw and release the string.
- The bow as described above shall be bare except for the arrow rest and free from protrusions, sights or sight marks, marks or blemishes or laminated pieces (within the bow window area) which could be of use in aiming. The unbraced bow complete with permitted accessories shall be capable of passing through a hole or ring with a 12.2cm inside diameter +/-0.5mm.
- 22.3.1.1. *Multi-coloured bow risers, and trademarks located on the inside of the upper and lower limb or on the riser are permitted. However if the area within the sight window is coloured in such a way that it could be used for aiming, then it must be taped over.*
- 22.3.1.2. *Risers including a brace are permitted provided the brace does not consistently touch the athlete's hand or wrist.*
- 22.3.2. A **bowstring** of any number of strands.
- 22.3.2.1. *Which may be of different colours **multi-coloured strands and serving** and of the material chosen for the purpose. It may have a centre serving to accommodate the drawing fingers, **one or two** nocking points to which may be added serving(s) to fit the arrow nock as necessary, and to locate **the nocking points**. At each end of the bowstring there is a loop which is placed in the string nocks of the bow when braced. No lip or nose mark is permitted. The serving on the string shall not end within the athlete's vision at full draw. The bowstring shall not in any way assist aiming through the use of a peephole, marking, or any other means.*
- 22.3.3. An arrow rest, which ~~may~~ **can** be adjustable **and have more than one vertical support is permitted**.
- 22.3.3.1. *A **moveable adjustable** pressure button, pressure point or arrow plate may all be used on the bow provided they do not offer any additional aid in aiming. The pressure point may ~~not~~ be placed ~~any~~ **no** further back than 2cm (inside) from the **pivot point of the grip**. ~~throat of the handle (pivot point of the bow).~~*
- 22.3.4. No draw check device may be used.
- 22.3.5. Face and string walking are permitted.
- 22.3.6. No stabilisers are permitted.
- 22.3.6.1. *~~Torque flight compensators~~ **Vibration dampeners** fitted as part of the bow are permitted provided that they do not have stabilisers.*
- 22.3.6.2. *Weight(s) may be added to the lower part of the riser. All weights, regardless of shape, shall mount directly to the riser without rods, extensions, angular mounting connections or shock-absorbing devices.*
- 22.3.7. Arrows of any type may be used provided they subscribe to the accepted principle and meaning of the word arrow as used in target archery, and that these arrows do not cause undue damage to the targets.
- 22.3.7.1. *An arrow consists of a shaft with a tip (point), nocks, fletching and, if desired, cresting. The maximum diameter of arrow shafts shall not exceed 9.3mm (arrow wraps shall not be considered as part of this limitation ~~as long they do~~ **but may not** extend further than 22cm toward the **arrow point of the arrow** when measured from **the nock groove where the bowstring sits the throat – nock hole where the string sits – of the nock** to the end of the wrap). ~~the~~ **The tips/points of the (points)** for these arrows may have a maximum diameter of 9.4mm **may not exceed 9.4mm in diameter**. All arrows of every athlete shall be marked with the athlete's name or initials on the shaft. All arrows used **in any end** throughout the competition shall be identical **in appearance** and shall carry the same pattern and colour(s) of fletching, nocks and cresting, if any. Tracer nocks (electrically/electronically lighted nocks) are not allowed.*
- 22.3.8. Finger protection in the form of finger stalls or tips, gloves, or shooting tab or tape, to draw and release the string is permitted, provided they do not incorporate any device that shall assist the athlete to hold, draw and release the string.
- 22.3.8.1. *A separator between the fingers to prevent pinching the arrow may be used. An anchor plate or similar device attached to the finger protection (tab) for the purpose of anchoring is permitted. The stitching shall be uniform in size and colour. Marks or lines may be added directly to the tab **or on a tape placed on the face of the tab. These marks** ~~and~~ shall be uniform in size, shape and colour. Additional memoranda is not permitted. On the bow hand an ordinary glove, mitten or similar item may be worn but shall not be attached to the grip of the bow.*
- 22.3.9. Field glasses, telescopes and other visual aids for spotting arrows:
- 22.3.9.1. *Provided they ~~do not represent any~~ **are not used for ranging or represent any** obstruction to other athletes.*
- 22.3.9.2. *Prescription ~~glasses~~ **spectacles**, shooting spectacles and sunglasses may be used. None of these may be fitted with micro hole lenses, or similar devices, nor may they be marked in any way ~~that can~~ **to** assist in aiming.*
- 22.3.9.3. *Should the athlete need to cover the ~~spectacle glass of the non-sighting eye~~ **and or glasses lens, plastic, film or tape may be used to obscure vision**, then it shall be fully covered or taped, or an eye patch may be used.*
- 22.3.10. Accesories are permitted:
- 22.3.10.1. *Including arm guard, chest protector, bow sling, **finger sling**, belt, back, **hip** or ground-quiver. Devices to raise a foot or*

## 22.4. For the Instinctive Bow Division the following items are permitted:

- 22.4.1. A bow of any type, which complies with the common meaning of the word bow as used in target archery, consisting of a handle/**riser and grip** (~~grip~~), riser (no shoot-through type) and two flexible limbs each ending in a tip with a string nock. The riser is produced of a natural or resin based material (e.g. wood, bamboo, horn, cloth, fibreglass, and a portion of the riser may include carbon/graphite or metal). The riser must be of laminated construction or one piece of wood. The bow may be of a take-down type and may incorporate factory installed metal fittings in the riser for limb attachment, sight mount inserts, cushion plunger insert and stabilizer bushings only. The bow may include a single adjustable limb for tiller adjustment only, but may not have adjustable limb pockets for bow weight adjustment. The riser may include thin synthetic laminates up to 6 mm in width to use for limb/pocket protection for structural use within the riser, but no more than one quarter of the riser's construction may be produced of metal or synthetic material. The riser must contain some wood or bamboo. For non-takedown bows, limb laminates of any material that fade into the riser section are permitted. The bow is braced for use by a single string attached directly between the two string nocks, and in operation is held in one hand by its handle (grip) while the fingers of the other hand draw and release the string.
- The bow as described above shall be bare, except for an arrow rest as described in [Article 22.4.3.](#) and free from protrusions, sights or sight marks, marks or blemishes or laminated pieces (within the bow window area) which could be of use in aiming. Weights inside the bow riser are permitted if installed during the manufacturing process of the bow and not post construction. Any such weights shall be completely invisible on the exterior of the riser and be covered by laminates applied during the initial construction with no visible holes, plugged holes, covers or caps with the exception of the original manufacturer's inlay or insert logo.
- 22.4.1.1. *Multi-coloured bow risers and trademarks located on the inside of the upper and lower limb are permitted. However if the area within the sight window is coloured in such a way that it could be used for aiming, then it must be taped over.*
- 22.4.2. A bow string of any number of strands.
- 22.4.2.1. *Which may be of ~~different colours~~ **multi-coloured strands and serving** and of the material chosen for the purpose. It may have a centre serving to accommodate the drawing fingers, ~~a~~ **one or two** nocking points to which may be added serving(s) to fit the arrow nock as necessary, and to locate ~~this~~ **the nocking points**. At each end of the bowstring there is a loop which is placed in the string nocks of the bow when braced. No lip or nose mark is permitted. The serving on the string shall not end within the athlete's vision at full draw. The bowstring shall not in any way assist aiming through the use of a peephole, marking, or any other means.*
- 22.4.2.2. *Also permitted are string silencers provided they are located no closer than 30cm from the nocking point.*
- 22.4.3. An arrow rest, which cannot be adjustable.
- 22.4.3.1. *The arrow rest can be a simple plastic **self-adhesive arrow** ~~industry standard glued~~ rest, a feather rest as supplied by the manufacturer or the athlete can use the bow shelf, in which case it may be covered with any type of material (on shelf only). The vertical part of the sight window may be protected by material which shall not raise more than 1 cm above the resting arrow or be thicker than 3 mm, measured from the riser directly adjacent to the material. No other types or arrow rests shall be allowed.*
- 22.4.4. No drawcheck device may be used.
- 22.4.5. String and face walking are not permitted.
- 22.4.6. Arrows of any type may be used provided they comply with the common meaning of the word "arrow" as used in target archery, and do not cause undue damage to target faces or butts.
- 22.4.6.1. *An arrow consists of a shaft with a tip (point), nocks, fletching and, if desired, cresting. The maximum diameter of arrow shafts shall not exceed 9.3mm (arrow wraps shall not be considered as part of this limitation ~~as long they do~~ **but may not** extend further than 22cm toward the **arrow point** ~~of the arrow~~ when measured from **the nock groove where the bowstring sits** ~~the throat — nock hole where the string sits — of the nock~~ to the end of the wrap). ~~the~~ **The tips/points of the (points) for these arrows may have a maximum diameter of 9.4mm may not exceed 9.4mm in diameter.** All arrows of every athlete shall be marked with the athlete's name or initials on the shaft. All arrows used **in any end throughout the competition** shall be identical **in appearance** and shall carry the same pattern and colour(s) of fletching, nocks and cresting, if any. Tracer nocks (electrically/electronically lighted nocks) are not allowed.*
- 22.4.7. Finger protection in the form of finger stalls or tips, gloves, or shooting tab or tape, to draw and release the string is permitted, provided they do not incorporate any device that shall assist the athlete to draw and release the string. Markings added by the athlete, whether or not uniform in size, shape and color are not permitted in the instinctive division.
- 22.4.7.1. *An anchor plate or similar device attached to the finger protection (tab) for the purpose of anchoring is not permitted. The bow must be shot using the "Mediterranean" loose (one finger above the arrow nock) or fingers directly below the arrow nock (index finger no more than 2 mm below nock), with one fixed anchor point. The athlete must choose either Mediterranean or fingers under nock, but may not use both. Finger protection when shooting with fingers under the nock must have a continuous surface or connected **surface** ~~finger stalls~~, with no ability to shoot split finger. When using the Mediterranean loose a separator between the fingers to prevent pinching the arrow may be used.*
- 22.4.8. Field glasses, telescopes and other visual aids may be used for spotting arrows:

~~22.4.8.1. Provided they do not represent any~~ **are not used for ranging or represent any** obstruction to other athletes.

22.4.8.2. Prescription **glasses spectacles**, shooting spectacles and sunglasses may be used. None of these may be fitted with micro hole lenses, or similar devices, nor may they be marked in any way ~~that can~~ **to** assist in aiming.

22.4.8.3.

~~Should the athlete need to cover the spectacle glass of the non-sighting eye~~ **and or glasses lens, plastic, film or tape may be used to obscure vision**, then it shall be fully covered or taped, or an eye patch may be used.

22.4.9. Accessories are permitted.

22.4.9.1.

Including arm guard, chest protector, bow sling, **finger sling**, belt, back, **hip** or ground-quiver. Devices to raise a foot or part thereof, attached or independent of the shoe, are permitted provided that the devices do not present an obstruction to other athletes at the shooting peg or protrude more than 2cm past the footprint of the shoe. Also permitted are limb **dampeners savers**. Arrow quivers shall not be attached to the bow.

## 22.5. For the Longbow Division the following items are permitted:

22.5.1. The bow shall correspond to the traditional form (shape) of a longbow (or American Flat Bow) conforming to a limb design that when strung the bowstring shall not touch any other part of the bow but the string nocks. The bow may be a two piece take-down, having two sections of similar length (take-down within the grip/arrow rest area), and may be made from any material or combination of materials. The shape of the grip (grip area only) is not restricted and **center-shot** is allowed. The bow shall be free from protrusions, sights or sight marks, marks or blemishes or laminated pieces (within the bow window area) which could be of use in aiming.

22.5.1.1. For juniors and women the bow shall be not less than 150cm in length, for men the bow shall be not less than 160cm in length – this length being measured on a strung bow between the string nocks all along the outside (back) of the limbs.

22.5.2. A bow string of any number of strands.

22.5.2.1. Which may be of ~~different colours~~ **multi-coloured strands and serving** and of the material chosen for the purpose. It may have a centre serving to accommodate the drawing fingers, ~~a~~ **one or two** nocking points to which may be added serving(s) to fit the arrow nock as necessary, and to locate ~~this~~ **the nocking** point. At each end of the bowstring there is a loop which is placed in the string nocks of the bow when braced. The serving on the string shall not end within the athlete's vision at full draw. The bowstring shall not in any way assist aiming through the use of a peephole, marking, or any other means.

22.5.2.2. Also permitted are string silencers provided they are located no closer than 30cm from the nocking point.

22.5.3. Arrow rest. If the bow has an arrow shelf, that shelf may be used as an arrow rest and it may be covered with any type of material (on the shelf only). The vertical part of the sight window may be protected by material which shall not rise more than 1 cm above the resting arrow or be thicker than 3 mm, measured from the riser directly adjacent to the material.

22.5.4.

String and face walking are not permitted.

22.5.5. No weights, stabilisers or **vibration dampeners** ~~torque flight compensators~~ are allowed. Weights inside the bow riser are permitted if installed during the manufacturing process of the bow and not post construction. Any such weight shall be completely invisible on the exterior of the riser and be covered by laminates applied during the initial construction with no visible holes, plugged holes, covers or caps with the exception of the original manufacturer's inlay or insert logo.

22.5.6. Only wooden arrows are allowed with the following specifications:

22.5.6.1. An arrow consists of a shaft with a tip (point), nocks, fletching and, if desired, cresting. The maximum diameter of arrow shafts shall not exceed 9.3mm (arrow wraps shall not be considered as part of this limitation ~~as long they do~~ **but may not extend further than 22cm toward the arrow point of the arrow** when measured from **the nock groove where the bowstring sits** ~~the throat - nock hole where the string sits - of the nock to the end of the wrap~~. ~~the~~ **The tips/points of the (points) for these arrows may have a maximum diameter of 9.4mm may not exceed 9.4mm in diameter**. All arrows of every athlete shall be marked with the athlete's name or initials on the shaft. All arrows used **in any end throughout the competition** shall be identical **in appearance** and shall carry the same pattern and colour(s) of fletching, nocks and cresting, if any

22.5.6.2. The points shall be of the field type or bullet, conical or cone shaped meant for wooden arrows.

22.5.6.3. Only natural feathers shall be used as fletching.

22.5.7. Finger protection in the form of finger stalls or tips, gloves, or shooting tab or tape, to draw and release the string is permitted, provided they do not incorporate any device that shall assist the athlete to hold, draw and release the string.

22.5.7.1.

An anchor plate or similar device attached to the finger protection (tab) for the purpose of anchoring is not permitted. The bow must be shot using the "Mediterranean" loose (one finger above the arrow nock) or fingers directly below the arrow nock (index finger no more than 2 mm below nock), with one fixed anchor point. The athlete must choose either Mediterranean or fingers under nock, but may not use both. Finger protection when shooting with fingers under the nock must have a continuous surface or connected **surface finger stalls**, with no ability to shoot split finger. When using the Mediterranean loose a separator between the fingers to prevent pinching the arrow may be used.

22.5.8. Field glasses, telescopes and other visual aids may be used for spotting arrows:

22.5.8.1. ~~Provided they do not represent any~~ **are not used for ranging or represent any** obstruction to other athletes.

22.5.8.2. Prescription ~~glasses spectacles~~, shooting spectacles and sunglasses may be used. None of these may be fitted with micro hole lenses, or similar devices, nor may they be marked in any way ~~that can~~ **to** assist in aiming.

22.5.8.3.

*Should the athlete need to cover the ~~spectacle glass of the non-sighting eye~~ **and or glasses lens, plastic, film or tape may be used to obscure vision**, then it shall be fully covered or taped, or an eye patch may be used.*

22.5.9. Accessories are permitted

22.5.9.1.

*Including arm guard, chest protector, bow sling, **finger sling**, belt, back, **hip** or ground-quiver. Devices to raise a foot or part thereof, attached or independent of the shoe, are permitted provided that the devices do not present an obstruction to other athletes at the shooting peg or protrude more than 2cm past the footprint of the shoe. Arrow quivers shall not be attached to the bow.*

22.6. Accessories for all divisions

22.7. For athletes of all divisions the following equipment is not permitted:

22.7.1. Any electronic or electrical device that can be attached to the athlete's equipment.

22.7.2. Any electronic communication device (including mobile phones), headsets or noise reduction devices ~~in front of the waiting line on the practice field and~~ at any time on the course.

22.7.3. Any type of range finders or any other means of estimating distances or angles not covered by the current rules regarding athletes equipment, **or any written memoranda or electronic storage device for storing memoranda apart from notes of the athlete's normal sight marks (for those divisions which allow sight).**

22.7.4. Any part of an athlete's equipment that has been added or modified to serve the purpose of estimating distances or angles, nor may any regular piece of equipment be used explicitly for that purpose.

~~22.7.5. Any written memoranda or electronic storage device that may be used for calculating angles, and distances apart from notes of the athlete's normal sight marks (for those divisions which allow sight), the recording of the present personal scores or any part of the World Archery Rules.~~

# Chapter 23

## Shooting

- 23.1. Each athlete shall shoot and stand or kneel at the shooting peg without compromising safety.
- 23.1.1. *The organisers shall assign the target at which each group shall start shooting.*
- 23.1.2. *In Field and 3D Rounds the athlete can stand or kneel up to approximately 1m in any direction beside or when the athlete is shooting alone at a peg and no safety concern is caused, behind the shooting peg, taking into consideration the condition of the terrain. In exceptional circumstances a Judge may give permission to shoot from outside the defined area.*
- 23.1.3. *In Field and 3D every shooting position shall have a shooting peg or mark to accommodate at least two athletes. If two athletes are shooting simultaneously, ~~the athlete with the lowest competitor number shall shoot from the left peg (or left side of the peg if only one); the athlete with the higher number shall shoot from the right peg~~ **athletes will shoot two at a time unless it is not possible. Athlete A and C will shoot from the left, athlete B and D from the right unless the athletes agree to change.***
- 23.2. Athletes within a **the shooting** group waiting for their turn to shoot shall wait ~~well~~ back behind the athletes in the shooting position.
- 23.2.1. *Athletes shall wait ~~well~~ behind the athletes in the shooting position unless they are assisting the athletes at the shooting peg spotting the fall of arrows or shading for their target companions. Shading is not allowed, ~~however~~, in the finals unless determined necessary by the judge.*
- 23.3. Number of arrows to shoot in **Field and 3D** rounds
- 23.3.1. *Individual competition:*
- ~~two arrows per animal targets are allowed in the qualification rounds, both scoring full value~~ **In field, 3 arrows per target will be shot in all rounds**
  - ~~In 3D, two one-arrows per animal targets is~~ **are allowed in the qualification rounds, one arrow per target is allowed in elimination and final rounds.**
- 23.3.2. *Teams: Three arrows per team shall be shot at each target in all rounds, one arrow by each team member. At the first target the higher ranked team decides who shall start shooting. Thereafter, the team with the lower cumulative score will shoot first at the following target and, if the teams are tied, then the team which started the match will shoot first.*
- ~~23.4. Use of binoculars in 3D rounds:~~
- ~~23.4.1. Athletes/teams may use binoculars to examine the target prior to shooting and at the shooting peg before shooting the arrow. The use of binoculars is not allowed after having finished shooting the target.~~
- 23.5. No athlete may approach the target until all athletes of the group have finished shooting, unless given permission by a Judge.
- 23.6. Under no circumstances may an arrow be re-shot.
- 23.6.1. *An arrow shall not be considered to have been shot if:*
- **The It has dropped from the bow and the athlete can touch it, or would have been able to touch the first landing point had it not been for the slope** with his bow without moving his feet **in front of the peg** ~~from their position~~, and provided the arrow has not rebounded;
  - *The target face, butt or 3D target falls over. The Judges shall take whatever measures they deem necessary, and permit time for shooting the relevant number of arrows. If the target or butt only slides down it shall be left to the Judges to decide what action to take, if any.*
- ~~23.7. No athlete, coach, team official, may disclose the target distances to anybody on unmarked courses during the tournament to gain an advantage. **There shall be no discussion between athletes, coaches team officials or any other person about distances, angles or other assistive information until the daily competition is complete.**~~
- 23.7.1. *There is to be no discussion of distances among the athletes of a group until the target has been scored.*
- 23.7.2. *In the Team event, **only** a discussion between the three athletes and/or their coach **on the field** is allowed, ~~as long it is not disturbing the other teams~~. No distances may be communicated by any **other** team official. The team members may join the athlete who is shooting and stand well behind him at the shooting peg and the team can communicate within this group. One coach accompanying the team may also go forward to the shooting peg with the team and coach, but shall stay behind when the team goes to the target to score. **Where there is an allocated "Coach Box/Area" then the coach shall remain in this area whilst shooting is taking place.***
- Should it be necessary to have more than one person per team to carry spare bows for the team, this (these) person(s) should stay behind the post with the picture of the animal target **outside of the designated shooting area** and is (are) not allowed to coach during the shooting. A team shall stay together with the coach(es); A coach of a womens/**mens/juniors** team cannot go back to **coach another from the same Member Association** ~~the mens team and vice-versa.~~*
- There shall not be any communication between the coaches of womens and mens teams of the same Member Association during the finals.*

## Chapter 24

# General Order of Shooting and Timing Control in Field and 3D Rounds

- 24.1. Groups shall be assigned to start simultaneously during the qualification and elimination rounds from various targets and shall complete the round at the target before the one at which they started. In the Finals Round medal matches all groups start in succession from the same target.
- 24.2. Athletes shall shoot in groups of no more than four, but never fewer than three.
- Each group shall shoot in pairs, rotating as follows:
    - The first pair shall start shooting on the first target assigned to the group;
    - The other pair shall start shooting at the next target. The pairs shall rotate shooting at all subsequent targets throughout the competition;
    - If there are three athletes in a group the first two athletes on the start list shall form the first pair, the third athlete shall be considered to be the second pair concerning rotation. This athlete shall always shoot from the left side of the shooting peg;
    - If all athletes of the group agree they may change the above arrangement, pairing or shooting position;
    - Should there be sufficient room at a shooting peg, all athletes in the group may shoot at the same time.
- 24.3. Should the number of athletes exceed the normal capacity of the course, additional groups shall be formed and placed in the field as is convenient. Additional groups assigned to a target shall wait until the primary group on that target has shot and scored their arrows before proceeding.
- 24.4. The athlete's number is to be prominently displayed on the athlete's quiver or thigh and is to be visible from behind the shooting post at all times while shooting is in progress. ~~Athletes shall be allocated targets and shooting positions according to their order of draw and subsequent placement from the top to the bottom on the start list.~~ Athletes will be allocated starting positions which will be verified by the Technical Delegate to ensure, as much as possible, that there are no two athletes from the same Member Association on the same target.
- In Field when Shooting at the blocks of 40cm faces: The four faces shall be placed in the form of a square. Of the pair of athletes whose turn it is to shoot first, the athlete on the left shall shoot at the top left hand face, while the athlete on the right shall shoot at the top right hand face. Of the pair of athletes whose turn it is to shoot second, the athlete on the left shall shoot at the lower left hand face, while the athlete on the right shall shoot at the lower right hand face.
  - In Field when Shooting at the blocks of 20cm faces: Of the pair of athletes whose turn it is to shoot first, the athlete on the left shall shoot at the faces in column 1, while the athlete on the right shall shoot at the faces in column 3. Of the pair of athletes whose turn it is to shoot second, the athlete on the left shall shoot at the faces in column 2, while the athlete on the right shall shoot at the faces in column 4. Each athlete shall shoot his arrows in any order, one at each face.
  - In 3D when shooting the smallest targets at the short distances, the two archers who have shot may approach the target, score and pull their arrows to avoid arrow damage and to allow other group members a fair shot.
- 24.5. In case of equipment failure the order of shooting may be temporarily changed. In any case no more than 30 minutes shall be allowed to repair any equipment failure. The other athletes in that group shall shoot and score their arrows before allowing any following groups to shoot through. If the repair is completed within the time limit, the athlete in question may make up any arrows remaining to be shot on that target. If the repair is completed later, the athlete may rejoin his group but shall lose the arrows his group has shot in the meantime.
- In the case of an athlete being unable to continue shooting because of a medical reason which occurred after the beginning of the shoot, the same provisions apply.
- Should an athlete, having completed the full first Qualification Round, be unable to start shooting in the second Qualification Round because of a medical problem, he or she shall not be allowed to participate in the first Elimination Round. Should an athlete having started in the second Qualification Round, but not being able to shoot the whole round because of a medical problem, he shall not be allowed to participate in the first Elimination Round.
- 24.6. In Finals Rounds no extra time shall be allowed for equipment failure or the treatment of unexpected medical problems. In the Team Event other members of the team may shoot in the meantime.
- 24.7. Athletes in a group may allow other groups to move ahead of another group during the qualification and elimination rounds but not the semi-finals and finals, provided the organisers or the Judges are notified about the change.
- 24.8. Only when an athlete, or a group of athletes, is causing undue delay for that group or for other groups during the Qualification and Elimination Rounds, will the judge observe and time the athletes. If the athletes exceed the time limit, they shall warn the athlete or group with a first written warning on the scorecard.
- The following time limits apply:
    - Field Rounds: a time of 3 minutes is allowed for qualifications and eliminations;
    - 3D Rounds: Two minutes will be allowed for qualifications and one minute in eliminations.
  - A time limit per target of three minutes for Field rounds and one and a half-minute (for Qualifications Rounds) and one minute (for Elimination Rounds) for 3D rounds shall be allowed from the time the athlete takes his position at the shooting peg, which the athlete shall do as soon as possible after the shooting position becomes available;
  - A Judge, having observed an athlete exceed the time limit, or cause undue delay despite the above procedure, shall caution the athlete and

give a second written warning indicating the time and date of the warning;

- At the third and all subsequent warnings during that stage of the competition, the athlete shall lose the highest scoring arrow at the target;
- The time limit may be extended in exceptional circumstances.

The judge's decision as to whether there is undue delay under this section is final.

24.9. Time warnings shall not be carried over from one stage of the competition to the next.

24.10. In the Semi-Finals Round, whenever a Judge accompanies a group he shall start and stop the shooting verbally ("go" for the start and "stop" when the time has passed).

- In Field and 3D rounds, the Judge shall show a yellow card as an indication when 30 seconds of the appropriate time limit remain;
- **If shooting is controlled by a DoS, then the timing system will display time remaining and there is no requirement for judge to display yellow card.**
- **In Field Rounds the time limit is 2 minutes;**
- **In 3D Rounds the time limit is 1 minute;**
- No shooting shall be allowed after the time limit has expired;
- If an athlete shoots an arrow after the Judge has stopped the shooting, the athlete or team shall lose the highest scoring arrow at the target;
- In the Individual matches the two athletes will shoot simultaneously;
- In the Team rounds the teams will shoot one at a time with the highest ranked team choosing who shoots first, at the next and subsequent targets the team with the lowest score will shoot first and when there is a tie in score the team who shot first at target 1 will shoot first.

24.11. The Medal Matches

- **Medal matches may be controlled by a DoS or by a judge.**
- **In Field the time limit for individuals and teams is two minutes**
- **In 3D the time limit for individuals is one minute and for teams two minutes.**
- **The time will start for the individuals when they are standing at their appropriate peg and for the team when they are standing at the red peg, shooting one at a time with the Barebow shooting last.**
- Under timing control by DoS:
  - ~~In Field the time limit for individuals and teams is two minutes which will be controlled by the DoS. The time will start for the individuals when they are standing at their appropriate peg and for the team when they are standing at the red peg, shooting one at a time with the Barebow shooting last.~~
- Controlled by a Judge
  - ~~In Field the time limit for individuals and teams is two minutes which will be controlled by the Judge starting his stopwatch.~~
  - ~~In 3D the time limit for individuals is one minute and teams two minutes which will be controlled by the Judge starting his stopwatch when the athletes are at their appropriate pegs.~~

24.12. If, for some reason, the shooting in team matches is stopped, then the Judge shall stop the watch for the team and restart it with the remaining time as soon as shooting can be resumed

24.13. **The Team Event**

- **In Field, the team consists of one Compound athlete, one Recurve athlete and one Barebow athlete.**
- **In 3D the team consists of Compound athlete, one Longbow athlete, and one athlete using either an Instinctive bow or a Barebow.**

# ~~Chapter 25~~

## ~~Order of Shooting and Timing Control - Field Rounds~~

~~25.1. Athletes shall shoot in groups of no more than four, but never fewer than three. Groups should be of even numbers as far as possible.~~

~~25.1.1. Each group shall shoot in pairs, rotating as follows:~~

- ~~• The Organising Committee shall assign shooting positions;~~
- ~~• The first pair (with lowest athlete number(s)) shall start the shooting on the first target assigned to the group;~~
- ~~• The other pair shall start shooting at the next target. The pairs shall rotate shooting at all subsequent targets throughout the competition;~~
- ~~• If there are three athletes in a group the first two athletes on the start list (lowest athlete numbers) shall form the first pair, the third athlete shall be considered to be the second pair concerning rotation. This athlete shall always shoot from the left side of the shooting peg;~~
- ~~• If all athletes of the group agree they may change the above arrangement, pairing or shooting position;~~
- ~~• Should there be sufficient room at a shooting peg, all athletes in the group may shoot at the same time.~~

~~25.1.2. Shooting at the blocks of 40cm faces: The four faces shall be placed in the form of a square. Of the pair of athletes whose turn it is to shoot first, the athlete on the left shall shoot at the top left hand face, while the athlete on the right shall shoot at the top right hand face. Of the pair of athletes whose turn it is to shoot second, the athlete on the left shall shoot at the lower left hand face, while the athlete on the right shall shoot at the lower right hand face.~~

~~25.1.3. Shooting at the blocks of 20cm faces: Of the pair of athletes whose turn it is to shoot first, the athlete on the left shall shoot at the faces in column 1, while the athlete on the right shall shoot at the faces in column 3. Of the pair of athletes whose turn it is to shoot second, the athlete on the left shall shoot at the faces in column 2, while the athlete on the right shall shoot at the faces in column 4. Each athlete shall shoot his arrows in any order, one at each face.~~

# Chapter 26

## ~~Order of Shooting and Timing Control - 3D Rounds~~

- 26.1. ~~From the entries for each division, the athlete numbers, and allocation to groups and to targets shall be decided by draw for women and men separately.~~  
~~Each group is composed of between three and six athletes (groups should be of even numbers as much as possible) with not more than two athletes from the same Member Association in the Qualification and Elimination rounds.~~  
~~The Tournament Judge Commission and the Technical Delegate shall decide on special cases.~~  
~~See also [3.15. Draw for Shooting Positions in Book 2](#) and [3.16. Repositioning on Targets in Book 2](#)~~
- 26.2. ~~If there is a Team event the team shall be made up of one Compound athlete, one Longbow athlete, and one athlete using either an Instinctive Bow or a Barebow.~~
- 26.3. ~~Unless otherwise agreed in the group, the group member with the lowest athlete number shall be the group leader and shall be responsible for the conduct of the group.~~
- 26.3.1. ~~When the target is free the first athlete (or the first two athletes) of the group at the post with the animal picture shall go to the shooting peg as soon as possible. The other members of the group stay behind at an appropriate distance.~~
- 26.3.2. ~~It is not allowed for the athletes to walk in the direction of the shooting peg, and stand still at a short distance behind the shooting peg estimating the distance before shooting.~~
- 26.3.3. ~~Each athlete or pair of athletes in the group shall shoot (together for the pair) rotating as follows:~~
- ~~In the shooting group, the athletes with the lowest athlete numbers shall start shooting at the first target, followed by the next higher athlete numbers etc;~~
  - ~~The last one or two athletes of one target shall start shooting first on the next target assigned to the group; followed by the athletes who started the shooting before.~~
  - ~~The athletes shall rotate shooting at all subsequent targets throughout the competition.~~
- 26.3.4. ~~Should an athlete, having completed the full first Qualification Round, be unable to start shooting in the second Qualification Round because of a medical problem, he or she shall not be allowed to participate in the first Elimination Round (first 16 athletes from the two Qualification Rounds based on the cumulative scores of the two rounds). Should an athlete having started in the second Qualification Round, but not being able to shoot the whole round because of a medical problem, he shall not be allowed to participate in the first Elimination Round (first 16 athletes from the two Qualification Rounds based on the cumulative scores of the two rounds).~~
- 26.4. ~~Allotted shooting time~~
- 26.4.1. ~~Individual competition:~~
- 26.4.1.1. ~~Time limit Qualification rounds : one and a half minute is the time limit for athletes in all divisions to shoot two arrows. As soon as the group in front has cleared the shooting peg the next group moves from the waiting area to the area with the picture of the animal target to be shot. When the group in front has cleared the target and is assumed to be at safe distance, the group may go forward from the picture area to the shooting peg (see [Article 23.2.](#)) and the first athlete in the group starts shooting. Due to safety reasons and the time limit, the arrow can only be nocked at the shooting peg.~~  
~~Time limit Elimination and Final Rounds : One minute is the time limit for athletes in all divisions to shoot one arrow.~~
- 26.4.1.2. ~~The appropriate time limit as stated in [Article 26.4.1.1.](#) of one and a half minute for each athlete in the group begins when he arrives at the peg.~~
- 26.4.2. ~~Team competition:~~
- 26.4.2.1. ~~The time limit of two minutes in the Team Elimination Round begins for the first team at the shooting peg. Before that the Judge has checked the readiness of the team and has told the team to go to the shooting peg. When the first team clears the shooting peg and has returned to the waiting area (at the post with the target picture) the same procedure applies to the other team. Due to safety reasons and the time limit, the arrow can only be nocked at the shooting peg.~~

# Chapter 27

## Scoring

- 27.1. Scoring shall take place after all athletes in the group have shot their arrows.
- 27.1.1. *Unless otherwise agreed in the group, the group member with the lowest athlete number shall be the group leader **Archer A** and shall be responsible for the conduct of the group. The two athletes, **B and C** with the second and third lowest athlete numbers shall be the scorers and the fourth athlete shall mark the arrow holes if applicable. **This may be changed if all athletes agree.***  
*In a group of three, the group leader shall also mark the arrow holes if applicable.*  
*In Field rounds, the group of athletes shall not leave the target before all holes in the scoring zone are marked.*
- 27.1.2. *Scorers, who can be athletes, shall enter on the scorecard alongside the correct number of the target, and in descending order if applicable, the value of each arrow as called by the athlete to whom the arrow(s) belong. Other athletes in the group shall check the value of each arrow called. A mistake on the scorecard discovered before the arrows are drawn may be corrected.*
- 27.1.2.1. *In the Finals Round, a Judge shall accompany each group to control the scoring or shall wait for each group at each target. A person shall be made available by the Organising Committee to carry a big portable scoreboard for each group displaying clearly the updated scores of the athletes in that group. In the medal matches there shall be two scoreboards, one for the Gold Medal match and one for the Bronze Medal match.*
- 27.1.2.2. *For 3D rounds, **the scoring zones will be identified on the picture.** all scoring zones are valid unless otherwise noted at the shooting peg.*
- 27.2. An arrow shall be scored according to the position of the shaft in the target. Should the shaft of an arrow touch two zones or a dividing line between scoring zones, that arrow shall score the higher value of the zones affected.
- 27.2.1. *None of the arrows, target face butt or 3D target shall be touched until all arrows on that butt have been recorded and scores checked.*
- ~~27.2.2. *Should a fragment of a target (face) be missing, including a dividing line (or where two colours meet), or if the dividing line is displaced by an arrow, then an imaginary line shall be used for judging the value of any arrow that may hit such a part.*~~
- ~~27.2.3. *Arrows embedded in the target and not showing on the face can only be scored by a Judge.*~~
- 27.2.4. *In case of a rebound or pass-through **or arrow embedded in the target and not showing on the face,** the scoring shall take place as follows:*
- *If all of the athletes in that shooting group agree that a rebound or pass-through has occurred, **and can see that there is an embedded arrow,** they may also agree on the value of that arrow;*
  - *In Field rounds if they cannot agree on the value of the arrow, the athlete shall be awarded the value of the lowest unmarked arrow hole in the scoring zone;*
  - *In 3D rounds if they cannot agree on the value of the arrow, the arrow shall be scored a **five (5)-miss.***
  - ***In 3D, an arrow ricochet will score a Miss (M).***
- 27.2.5. *An arrow hitting:*
- 27.2.5.1. *Another arrow in the nock and remaining embedded therein shall score according to the value of the arrow struck.*
- 27.2.5.2. *Another arrow, and then hitting the target after deflection, shall score as it lies in the target.*
- 27.2.5.3. *Another arrow, and then rebounding shall score the value of the arrow struck, provided the damaged arrow can be identified.*
- 27.2.5.4. *A target face other than the athlete's own target face shall be considered as part of that end and shall score as a miss.*
- 27.2.5.5. *Outside the outermost scoring zone of the target face or scoring area of the 3D target shall score as a miss.*
- 27.2.5.6. *A miss shall be recorded as "M" on the scorecard.*
- 27.2.6. *If more than three arrows for Field rounds and more than one arrow or two arrows (depending of the round) for 3D rounds belonging to the same athlete should be found in the target or on the ground of the shooting lane, only the three lowest arrows (for Field rounds and for teams) and lowest arrow (or two lowest arrows in qualifications) for 3D rounds shall be scored. Should an athlete (or team) be found to repeat this, he (they) may be disqualified.*
- 27.2.7. *If two or more arrows are shot in the same 20cm target face, they shall be considered as part of that end but only the arrow with the lower value shall score. The other arrow, or arrows, in the same face shall score as a miss, or as misses.*
- 27.3. Except for those ties as set out in [Article 27.3.2.](#), tied scores in all rounds are ranked using:
- 27.3.1. For ties occurring in all Rounds, except for those ties as set out below:
- ♦ Individuals and Teams:
    - Greatest number of 6's for Field rounds and 11's for 3D rounds;
    - Greatest number of 5's for Field rounds and 10's for 3D rounds;
    - After this, athletes still tying shall be declared equal; but for ranking purposes, i.e. for a position in the match play charts of the Finals Rounds, a disk toss shall declare the position of those declared equal.
- 27.3.2. For ties regarding the entrance to the Elimination Rounds, the progress from one stage of the competition to the next or for deciding the Medal placements after a Finals Round there shall be shoot-offs to break the ties:
- 27.3.2.1. *Individuals:*

- A single arrow shoot-off for score;
- If the score is the same the arrow closest to the centre shall resolve the tie and if the distance is the same, successive single arrow shoot-offs, until the tie is resolved;
- The time limit for a shoot-off shall be 40 seconds.

27.3.2.2. Teams:

- An end of three arrows (one by each athlete) shoot-off for score;
- If the score is still tied, the team with the arrow closest to the centre shall win;
- If still tied, the second (or third) closest to the centre arrow shall determine the winner;
- The time limit for a Team shoot-off shall be two minutes for Field rounds and 3D rounds.

27.3.2.3. Shoot-offs following qualification and for entry into the next elimination round will take place at a target located in the central area.

- For Field rounds, the shoot-offs shall take place on a target at the maximum distance for the division. ~~in which there is a tie which may be on a separate target.~~
- For 3D rounds, the shoot-offs shall take place at distance placed by the judge. ~~in the qualification and elimination rounds shall take place on a separate target. The targets shall be located close to the central point area.~~
- In the team ¼ Elimination, the shoot-off will take place on the last target.

27.3.2.4. Shoot-offs shall be shot as soon as it is practical after all scorecards for the division, within which the tie has occurred, have been recorded. Any athlete who is not present for the shoot-off within 30 minutes after he or his Team Manager has been notified, shall forfeit the shoot-off. If the athlete and his Team Manager have left the field, in spite of the results not being officially verified, and thus cannot be notified of the shoot-off, the athlete shall forfeit the shoot-off.

~~27.3.2.5. In the event of a tie in the semi-finals, a shoot-off shall take place for Field rounds on the last target shot (individual and team), and-or for 3D rounds on an extra fifth target. being the same group animal target as the last target shot in the semi-finals. In the event of a tie in the Medal Finals, the shoot-off shall take place for Field rounds at the maximum distance for the division in which there is a tie; or for 3D rounds on a separate, fifth target. being a group 1 animal target.~~

27.4. Scorecards shall be signed by the scorer and the athlete, denoting that the athlete agrees with the value of each arrow, the sum total (identical on both scorecards), the number of 5's and 6's in the case of Field rounds (10's and 11's for 3D rounds). The scorer's scorecard shall be signed by another athlete of the same group but of a different Member Association.

27.4.1. Each target will have two scorecards one of which may be electronic. If there is a discrepancy in the arrow values between an electronic and a paper score card, the paper card will take precedence. The organisers are not required to accept or record scorecards that have not been signed, do not contain the sum total, the number of 5's or 6's in the case of Field rounds (10's and 11's for 3D rounds) or which contain mathematical errors. The organisers or officials are not required to verify the accuracy of any submitted scorecard however if the organisers or the officials note an error, they shall correct such error and the result as corrected shall stand. Any such corrections shall occur before the next stage of competition. Should a discrepancy be found in the sum total, the sum total of the lowest arrow scores shall be used for the final result.

27.5. At the end of the tournament the Organising Committee shall publish complete result lists.

# Chapter 28

## Shooting Control and Safety

- 28.1. The chairperson of the Tournament Judge Commission shall be in control of the tournament.
- 28.2. The chairperson of the Tournament Judge Commission shall satisfy himself that safety precautions have been observed in the layout of the courses and arrange with the organisers for any additional safety precautions he may find advisable before shooting commences.
  - 28.2.1. *He shall address the athletes and officials on the safety precautions and any other matters concerning the shooting that he may judge to be necessary.*
  - 28.2.2. *Should it become necessary to abandon a competition because of bad weather, loss of daylight or for reasons that would otherwise compromise the safety conditions of the courses, such a decision shall be made by the collective decision of the head of the Organising Committee, the chairperson of the Judges Commission and the Technical Delegate.*
  - 28.2.3. *An acoustic sign to be heard throughout all the courses, shall be given at the start of each competition day and shall also be given when the competition has to be stopped.*
  - 28.2.4. *Should the competition have to be abandoned prior to the completion of the Qualification Round(s) the total score of the same targets shot by all athletes in a division shall be used to determine the ranking and in case no further competition is possible at all, the champions in that division.*
  - 28.2.5. *Should the competition have to be abandoned at a later stage, the tournament format and schedule shall be modified to progress according to the time remaining and conditions of the venues, to determine the winners.*
  - ~~28.2.6. *In case of blinding sunshine, protective shade of a maximum size of A4 (or legal letter size, about 30x20cm) may be provided by the other members of the group or shall be provided by the organiser. No shade is allowed for the Final Rounds, unless it is deemed necessary for safety reasons by the Judge.*~~
- 28.3. No athlete may touch the equipment of another without the latter's consent.
- 28.4. No smoking, including use of electronic cigarettes, is allowed in or in front of the athletes' area.
- 28.5. When drawing back the string of his bow an athlete shall not use any technique which, in the opinion of the Judges, could allow the arrow, if accidentally released, to fly beyond a safety zone or safety arrangements (overshoot area, net, wall, etc.). If an athlete persists in using such a technique, he will, in the interest of safety, be asked by the Chairperson of the Tournament Judges Commission to stop shooting immediately and to leave the course. The athlete must aim and draw up at the target only.
- 28.6. *At Field and 3D Championships, unless competing, team officials shall be confined within the spectator area unless requested by a Judge to enter the competition area.*

# Chapter 29

## Consequences of Breaking Rules

Set out below is a summary of the penalties or sanctions applied to athletes or officials when rules are broken.

- 29.1. An athlete found guilty of breaking any eligibility rule may be disqualified from the competition and shall lose any position he may have gained.
- 29.2. An athlete is not eligible to compete in World Archery Championships if his Member Association does not meet the requirements as laid down in [Article 3.7.2. in Book 2](#).
- 29.3. An athlete found competing in a class laid down in [22. Chapter 22-Athletes Equipment](#) of which he does not fulfil the requirements, shall be disqualified from the competition and lose any position gained.
- 29.4. An athlete found to have committed an Anti-Doping Rules violation shall be subject to sanctions as laid down in [Book 6-Anti-Doping Rules in Book 6](#).
- 29.5. Any athlete found to be using equipment contravening World Archery Rules may have his or her scores disqualified.
- 29.6. An athlete proved to have knowingly broken any rules and regulations may be declared to be ineligible to participate in the competition. The athlete shall be disqualified and shall lose any position he may have gained.

*29.6.1. Un-sportsmanlike conduct shall not be tolerated. Such conduct by an athlete or anyone deemed to be assisting an athlete shall result in disqualification of the athlete or the person in question and may further result in suspension from future events (see also [Appendix 1-Congress Procedures, Appendix 2-Code of Ethics and Conduct in Book 1](#)).*

*29.6.2. Anyone who alters without authorization, or falsifies, a score, or knowingly has a score altered or falsified, shall be disqualified.*

*29.6.3. If an athlete repeatedly withdraws arrow from the target before they are scored, he may be disqualified.*

- 29.7. An athlete who persists in using a dangerous method of drawing the string in the opinion of the Judges, shall be asked by the chairperson of the Tournament Judge Commission or the Director of Shooting to stop shooting immediately and shall be disqualified.
- 29.8. Losing the score of arrow.
  - 29.8.1. *In the case of an equipment failure, an athlete who is unable to repair his equipment within 30 minutes shall lose the number of arrows still to be shot on that target and those arrows shot by his group after that time until he rejoins his group.*
  - 29.8.2. *In the case of a Judge's timing an athlete and observing him exceeding the time limit, at the third and all subsequent warnings during that stage of the competition, the athlete shall lose the highest scoring arrow at the target.*
  - 29.8.3. *In the Finals Round, if an athlete shoots an arrow after the Judge has stopped the shooting, the athlete's or team's highest scoring arrow on that target shall be lost.*
  - 29.8.4. *If more than three arrows for Field rounds or more than one arrow or two arrows (depending of the round) for 3D rounds belonging to the same athlete should be found in the target or on the ground in the shooting lane, only the three lowest arrows for Field rounds or lowest arrow (or two lowest arrows in qualifications) for 3D rounds shall be scored.*
  - 29.8.5. *If two or more arrows are shot into one 20cm target face, all arrows shot shall count as part of that end but only the lower arrow shall score.*
  - 29.8.6. *An arrow not hitting a scoring zone or hitting a target face other than the athlete's own target face, shall be considered as part of that end and shall score as a miss.*

### 29.9. Warnings

Athletes who have been warned more than once and who continue breaking the following World Archery rules or who do not follow decisions and directives (which can be appealed) of the assigned Judges, shall be treated according to [Article 29.6.](#)

- 29.9.1. ***The group is responsible for the protection of their scorecards. They should make every effort to keep it dry, undamaged, and to prevent its loss. Duplicate cards will not normally be issued. Athletes are responsible for their own score cards. Duplicate cards shall not be issued for any lost, damaged or stolen cards.***
- 29.9.2. *No smoking is allowed on the course and in the practice and warm-up areas.*
- 29.9.3. *No athlete may touch the equipment of another without the latter's consent.*
- 29.9.4. *Those athletes belonging to a following group waiting for their turn to shoot, shall remain in the waiting area until the athletes shooting have moved on and the shooting position is clear. There shall be no communication about distances between the different shooting groups.*
- 29.9.5. *While shooting is in progress, only the athlete whose turn it is to shoot may approach the shooting position.*
- 29.9.6. ***No athlete may approach the target until all athletes of the group have finished shooting, unless authority is given by a Judge or "insert article number" applies.***
- 29.9.7. *None of the arrows nor the target face, target or butt may be touched until all the arrows on that target have been recorded.*

29.9.8. *When drawing back the string of his bow, an athlete shall not use any technique which, in the opinion of the Judges, could allow the arrow, if accidentally released, fly beyond a safety zone or safety arrangements (overshoot area, net, wall etc.).*

## **Chapter 30**

### **Practice**

- 30.1. At World Archery Field and 3D Championships no practice shall be permitted on the courses set out for the competition.
- 30.1.1. *A practice range shall be made available nearby or elsewhere three days before the first day of competition.*
  - 30.1.2. *On the days of the tournament, warm up targets (one for every 10 athletes) shall be set up near the assembly point(s) for the athletes. The practice range and the warm up targets may be one and the same.*
  - 30.1.3. *On the practice field a number of targets equal to 1/8 of the entries, arranged at all the different competition distances, shall be provided to permit practice, before, during and after competitive shooting on each day of the competition, at times announced by the organisers.*

# Chapter 31

## Questions and Disputes

- 31.1. Any athlete on the target shall refer any questions about the value of an arrow in the target face, before the arrows are drawn, to:
- During the Qualification Rounds to the competitors in the group. The majority opinion of the group shall decide on the value – if there is split decision (50/50) the arrow shall be given the higher value. That decision of the athletes is final;
  - During the Elimination and Finals Rounds, if the athletes cannot agree on the value of an arrow, a Judge shall be called to decide on the value of the arrow.
- 31.1.1. *The decision of that Judge shall be final.*
- 31.1.2. *A mistake on a scorecard may be corrected before the arrows are drawn, provided that all the athletes on the target agree on the correction. The correction shall be witnessed and initialled by all the athletes on the target. Any other disputes concerning entries on a scorecard shall be referred to a Judge.*
- 31.1.3. *Should it be discovered:*
- *That the size of a target face has been changed during the competition in Field rounds;*
  - *The position of a shooting peg has been moved after competing athletes have already shot the target;*
  - *The target is or has become unshootable for certain athletes because of hanging branches etc.*
- That target shall be eliminated for the purpose of score for all athletes of the division involved, should an appeal be upheld. If one or more target(s) is disqualified, the remaining number of targets shall be considered a full round.*
- 31.1.4. *Should range equipment be defective or a target become unreasonably worn or otherwise damaged, an athlete or his or her Team Manager may appeal to the Judges to have the defective item replaced or remedied.*
- 31.2. Questions concerning the conduct of the shooting or the conduct of an athlete shall be lodged with the Judges before the next stage of the competition.
- 31.2.1. *Questions regarding any published results shall be lodged with the Judges without any undue delay, and in any event shall be lodged in time to allow corrections to be made before the prize giving.*

# Chapter 32

## Appeals

32.1. In the event of an athlete's not being satisfied with a ruling given by the Judges, he may, except as provided for in [Article 31.1.](#), appeal to the Jury of Appeal. Trophies or prizes which may be affected by a dispute shall not be awarded until the Jury of Appeal's ruling has been given.

# Chapter 33

## Dress Regulations

### 33.1. Athletes

Athletes shall wear shirts with name and country at all times.

Sport shoes or walking boots shall be worn by all athletes and officials, these may be different styles but shall cover the entire foot.

Athletes may wear trousers of their choice, including denim, for the Qualification, Elimination and Semi-finals rounds.

Athletes shall wear full Team uniform, which shall not include denim, for Team Rounds and Medal Matches.

Clothing and equipment shall not be camouflage. No oversize or baggy type trousers are allowed.

### 33.2. Team Officials

Shall have their country on their shirt or jacket, and shall be the same colour, so that they are easily recognisable as part of the team.